

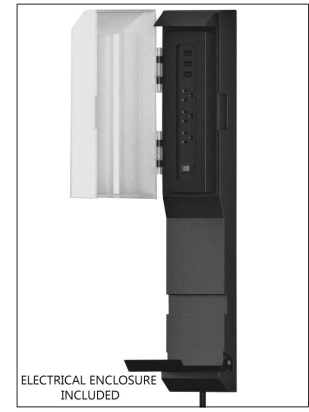
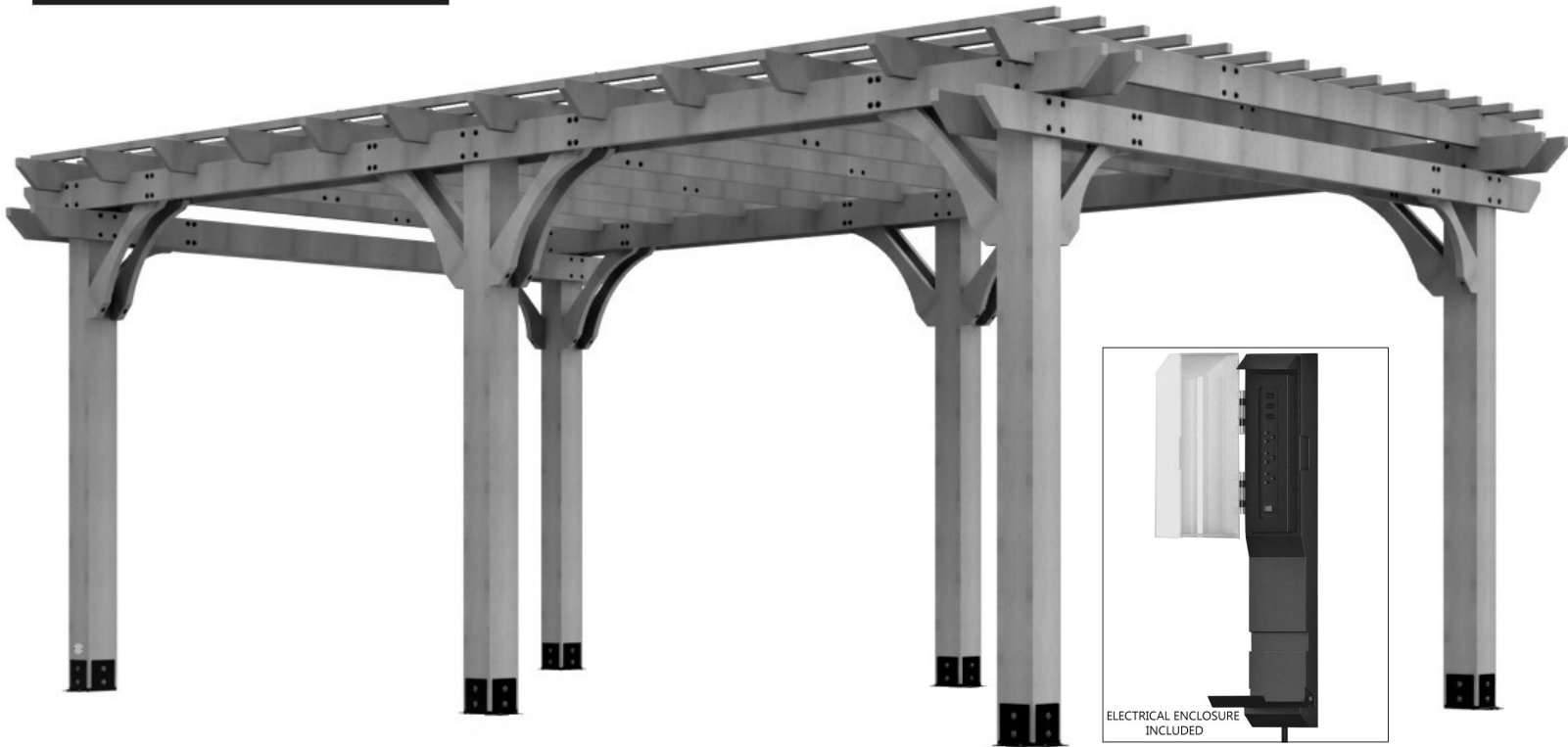


Manufactured by:
 Backyard Discovery
 3305 Airport Drive, Pittsburg, KS 66762
 800-856-4445

Basepoint Business Centre: Rivermead Drive, Westlea, Swindon SN5 7EX Phone: 0800-118-2476
 J.P. Coenstraat 7, The Bridge, The Hague, 2595 WP, Netherlands Phone: 08005678990

BEAUMONT 20X12 PERGOLA

MODEL: # 2101579



ONLY AVAILABLE IN NORTH AMERICA

Please visit www.backyarddiscovery.com
 For the most up to date assembly manual, to register your product, or to order replacement parts
Para obtener instrucciones en español, visite www.backyarddiscovery.com



**EASY STEP-BY-STEP
 3D INTERACTIVE INSTRUCTIONS**
 DOWNLOAD THE FREE APP



**INSTALLATION
 SERVICES
 AVAILABLE!**
See inside for details

ONLY AVAILABLE IN UNITED STATES

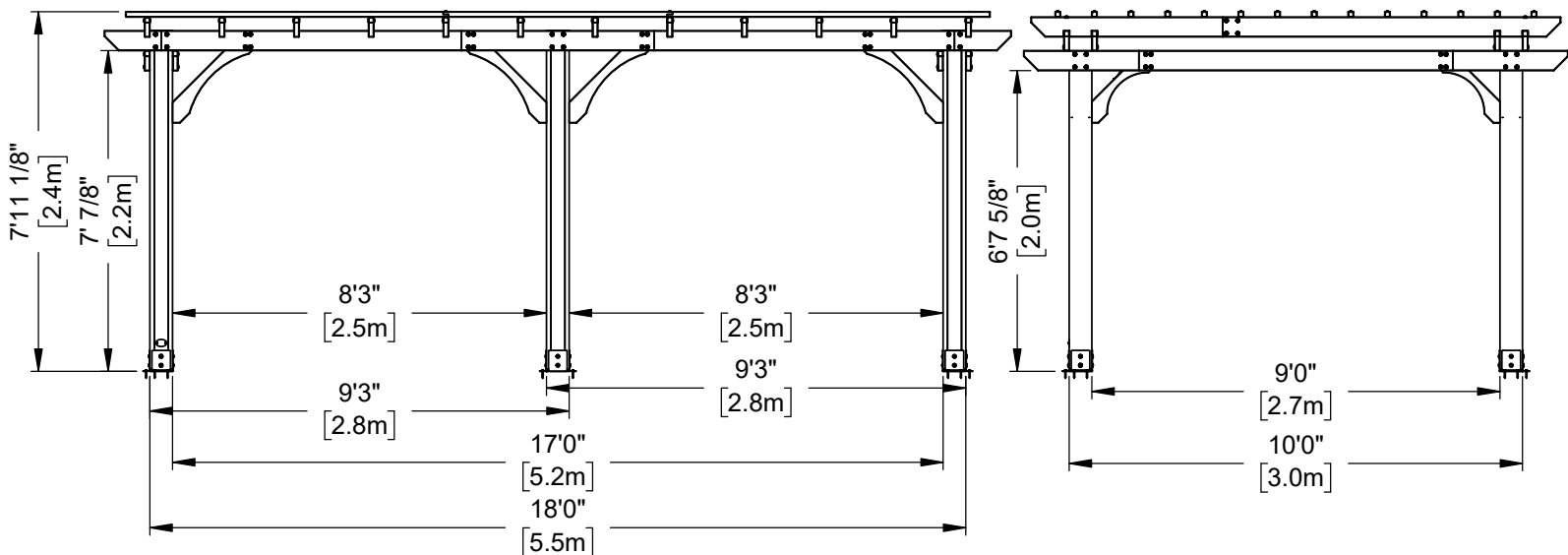
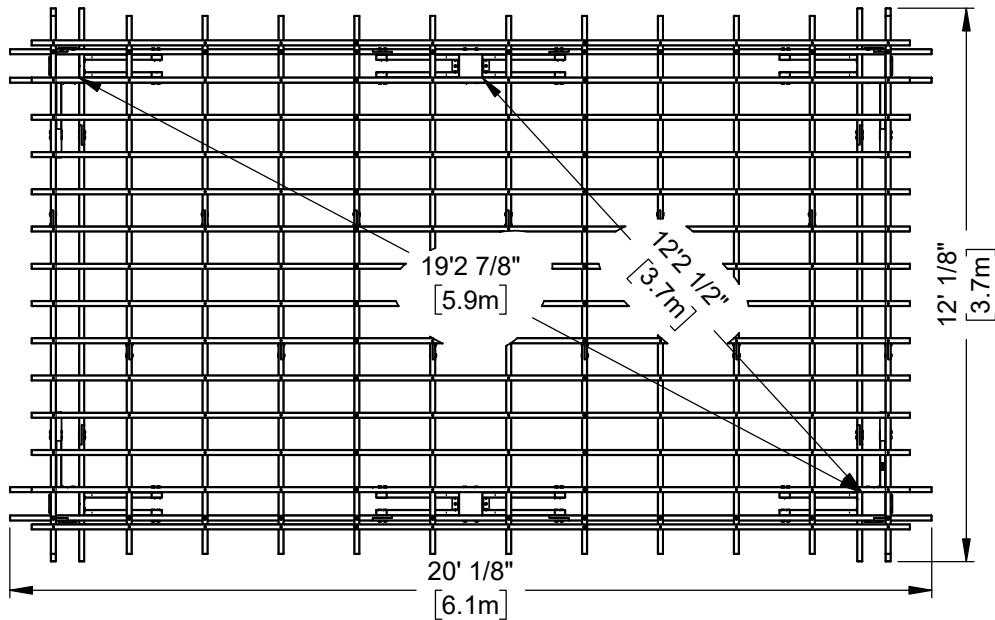
OWNER'S MANUAL - BASIC SETUP DIMENSIONS & ASSEMBLY NOTES

It is critically important that you start with square and level footings, concrete pad or deck to attach your structure

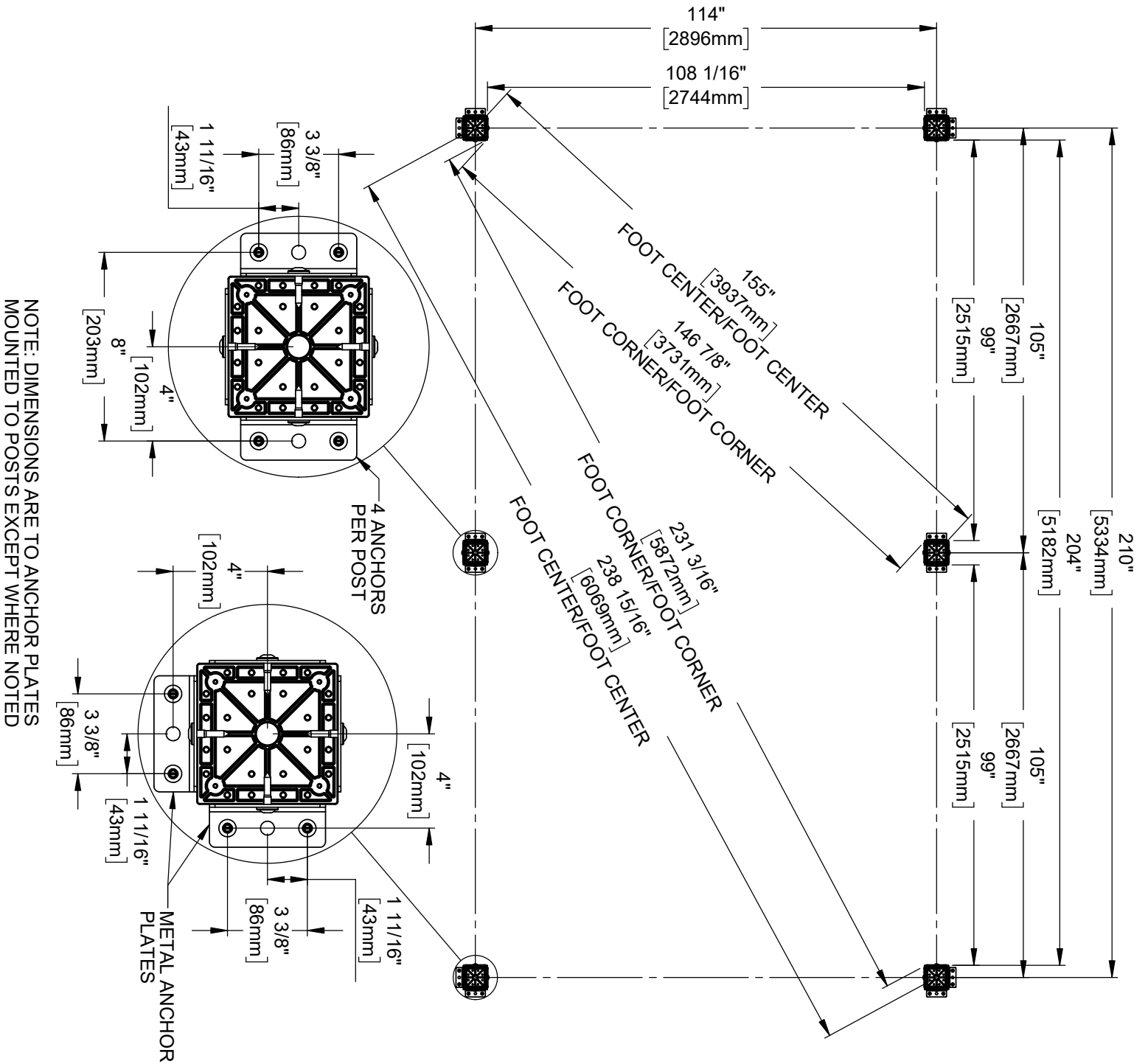
- Pay close attention to the items needed for each step. Make sure you are using the correct hardware for each step. Using incorrect hardware may result in improper assembly
- Remember to double check for underground utilities and overhead electrical lines

Post mounts are provided with your structure which allows you to permanently install your structure to a pre-existing or new wood or concrete surface. See Anchor Instructions for further details and recommendations.

- The hardware to attach the post mounts to the structure is included.
- The hardware to mount the structure permanently to a concrete surface is included.
- The hardware to mount the structure permanently to a wood deck is NOT included and will need to be purchased separately. You must ensure there is ample structural support under the deck before permanently attaching.

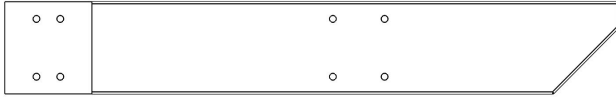


OWNER'S MANUAL - ANCHORING LAYOUT

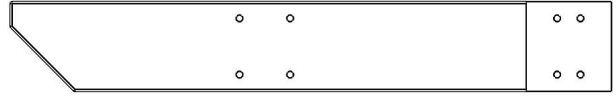


OWNER'S MANUAL - PARTS IDENTIFICATION

Wood Components (Not to Scale)



D01 | JOIST END - W4L15500
(4) | 1 3/8"x5 1/4"x35 1/2" (36x134x902)



D02 | JOIST END - W4L15501
(4) | 1 3/8"x5 1/4"x35 1/2" (36x134x902)



D03 | JOIST END - W4L15502
(2) | 1 3/8"x5 1/4"x15" (36x134x382)



D04 | JOIST END - W4L15503
(2) | 1 3/8"x5 1/4"x15" (36x134x382)



D05 | JOIST END - W4L15529
(2) | 1 3/8"x5 1/4"x15" (36x134x382)



D06 | JOIST END - W4L15530
(2) | 1 3/8"x5 1/4"x15" (36x134x382)



D07 | JOIST - W4L15506
(4) | 1 3/8"x5 1/4"x83 1/8" (36x134x2112)



D08 | JOIST - W4L15523
(2) | 1 3/8"x5 1/4"x87 1/2" (36x134x2223)



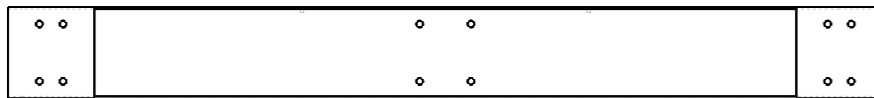
D09 | JOIST - W4L15524
(2) | 1 3/8"x5 1/4"x87 1/2" (36x134x2223)



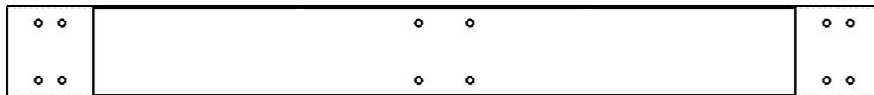
D10 | JOIST - W4L15525
(2) | 1 3/8"x5 1/4"x87 1/2" (36x134x2223)



D16 | JOIST - W4L15526
(2) | 1 3/8"x5 1/4"x87 1/2" (36x134x2223)



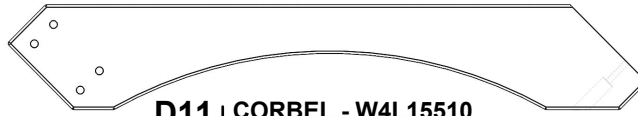
D17 | JOIST - W4L15527
(2) | 1 3/8"x5 1/4"x51" (36x134x1296)



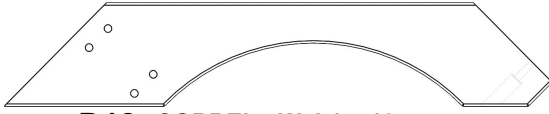
D18 | JOIST - W4L15528
(2) | 1 3/8"x5 1/4"x51" (36x134x1296)

OWNER'S MANUAL - PARTS IDENTIFICATION

Wood Components (Not to Scale)



D11 | CORBEL - W4L15510
(16) | 1 3/8"x5 1/4"x32 1/2" (36x134x826)



D12 | CORBEL - W4L15513
(3) | 1 3/8"x5 1/4"x28 1/4" (36x134x719)



D13 | CORBEL - W2A03243
(1) | 1 3/8"x5 1/4"x28 1/4" (36x134x719)



D14 | SLOTTED JOIST - W4L15515
(12) | 1 3/8"x5 1/4"x55 3/4" (36x134x1416)



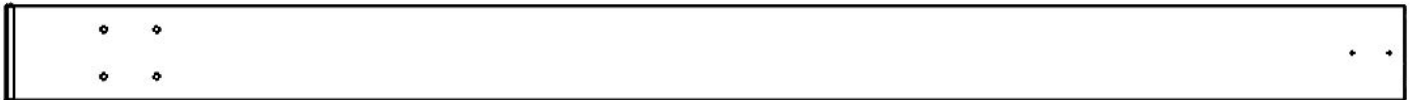
D15 | SLOTTED JOIST - W4L15517
(12) | 1 3/8"x5 1/4"x89 1/2" (36x134x2274)



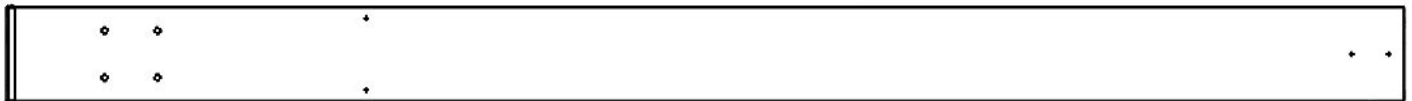
P10 | PURLIN END - W4L15531
(28) | 1 3/8"x1 3/8"x85 1/2" (36x36x2171)



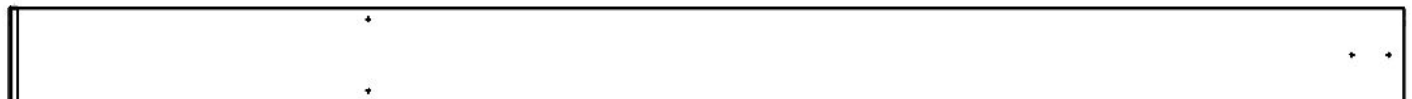
P11 | PURLIN - W4L15532
(14) | 1 3/8"x1 3/8"x60 3/4" (36x36x1542)



P01 | POST - W2A03241
(2) | 6"x6"x89 1/2" (152x152x2274)



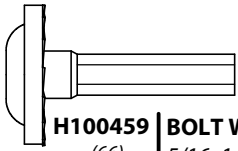
P02 | POST - W2A03242
(2) | 6"x6"x89 1/2" (152x152x2274)



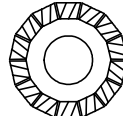
P03 | POST - W2A03244
(2) | 6"x6"x89 1/2" (152x152x2274)

OWNER'S MANUAL - PARTS IDENTIFICATION

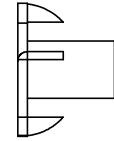
Hardware Components



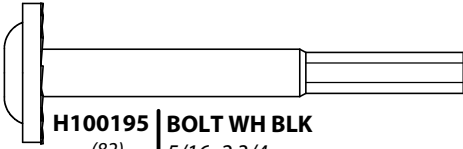
H100459 | BOLT WH BLK
(66) | 5/16x1 1/4



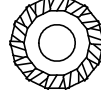
H100198 | WASHER LOCK
(214) | EXT BLK 8x19



H100379 | T-NUT BLK
(187) | 5/16x5/8



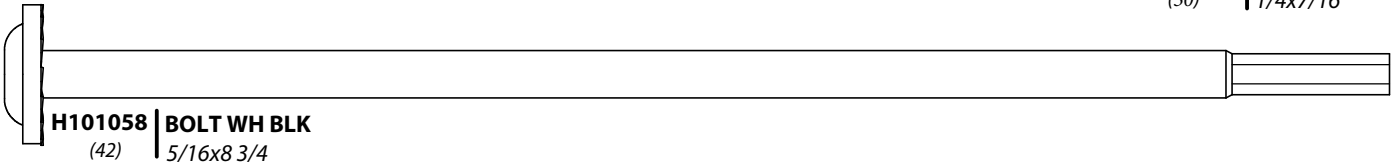
H100195 | BOLT WH BLK
(82) | 5/16x2 3/4



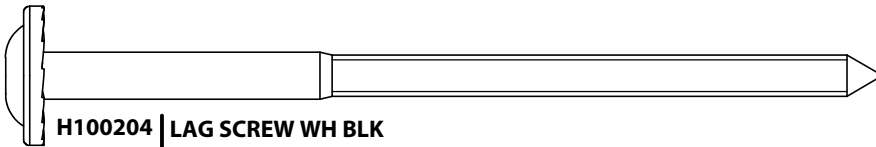
H100405 | WASHER LOCK
(52) | EXT BLK 6x15



H100398 | T-NUT BLK
(30) | 1/4x7/16



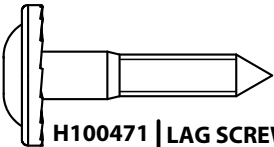
H101058 | BOLT WH BLK
(42) | 5/16x8 3/4



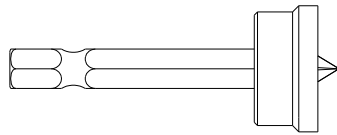
H100204 | LAG SCREW WH BLK
(26) | 5/16x5 1/2



H100201 | SCREW PFH BLK
(145) | 8x2 1/2



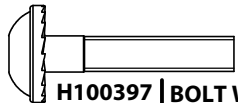
H100471 | LAG SCREW WH BLK
(50) | 5/16x1 1/2



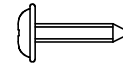
H100764 | SCREW SETTER
(1)



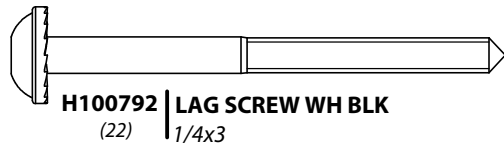
H100200 | SCREW PFH BLK
(26) | 8x1 1/2



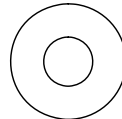
H100397 | BOLT WH BLK
(30) | 1/4x1 1/4



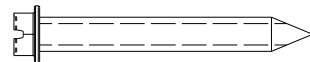
H100202 | SCREW PWH BLK
(2) | 8x5/8



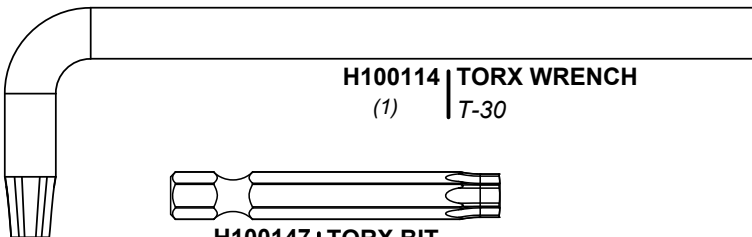
H100792 | LAG SCREW WH BLK
(22) | 1/4x3



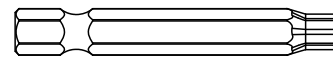
H100630 | WASHER FLAT BLK
(26) | 8x19



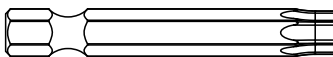
H100120 | SCREW CONCRETE ANCHOR
(26) | 1/4x2



H100114 | TORX WRENCH
(1) | T-30

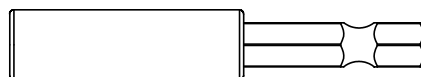
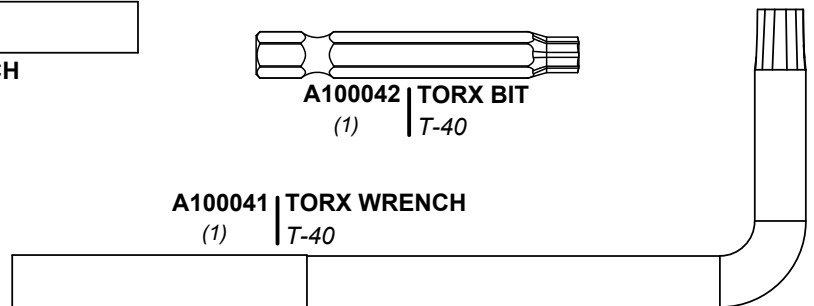


A100042 | TORX BIT
(1) | T-40



H100147 | TORX BIT
(1) | T-30

A100041 | TORX WRENCH
(1) | T-40



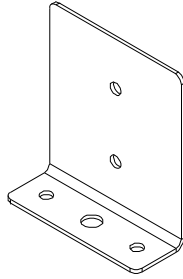
H101100 | MAGNETIC DRIVER
(1)

OWNER'S MANUAL - PARTS IDENTIFICATION

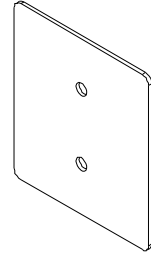
Accessory Components (Not to Scale)



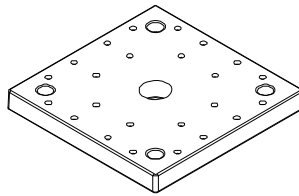
A100241
(1) | **BYD ID TAG
(SMALL)
WITHOUT AGES**



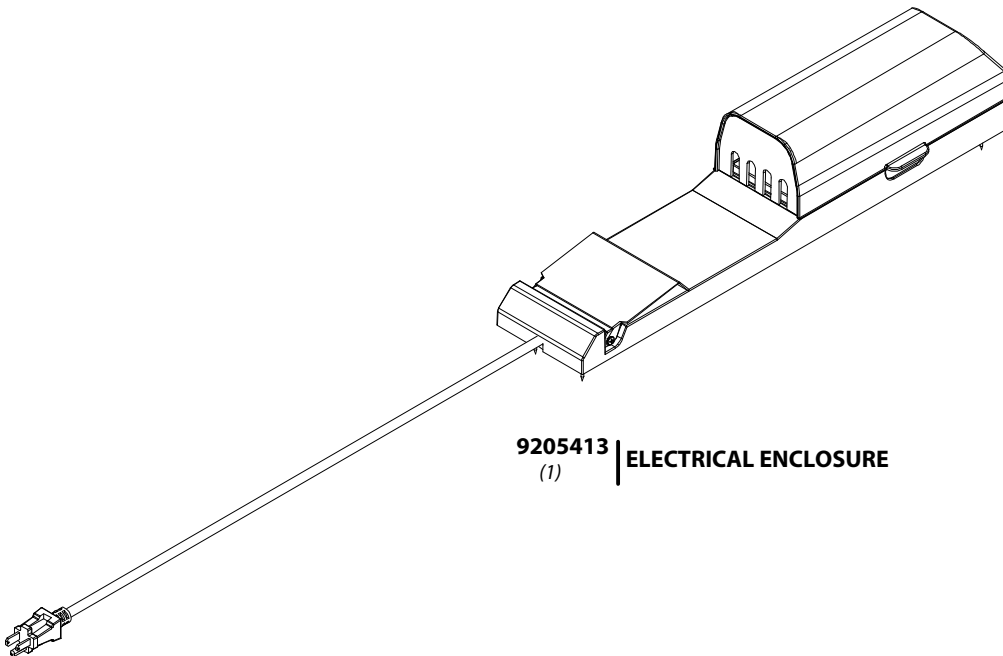
A4M00977
(12) | **POST ANCHORING PLATE**



A4M00978
(12) | **POST PLATE**



A6P00308
(6) | **6x6 POST FOOT**



9205413
(1) | **ELECTRICAL ENCLOSURE**

PRE-ASSEMBLY STEP 1 - SORTING PARTS

It is critical for ease of assembly that you take the time to sort and organize the wood and hardware.

WOOD PARTS:

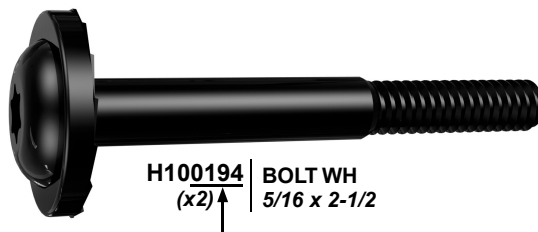
- Organize wood parts by the three-digit, alpha-numeric number stamped on each board (ex. P01).
- If there are multiple boards with the same stamped number, stack those pieces together.
- Stamps can be found on the flat surface of the boards or on the end of the boards.
- Allow yourself plenty of room - the wood pieces can take up a significant amount of space.

NOTE: CARTONS ARE NOT ORGANIZED BY BOARD NUMBER.



HARDWARE PARTS:

- We recommend that you have a separate table to organize the hardware.
- Hardware bags are printed with a seven-digit, alpha-numeric part number.
- You can organize your hardware by part number or group by hardware type (i.e. bolts, nuts, etc.).
- During assembly you only need to reference the last four digits of the number.



H100194 | BOLT WH
(x2) ↑ 5/16 x 2-1/2

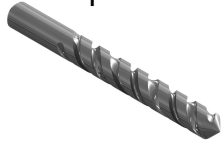
PRE-ASSEMBLY STEP 2 - TOOLS REQUIRED



Cordless Drill
or Electric Drill



Drill
Attachments:
Phillips Head



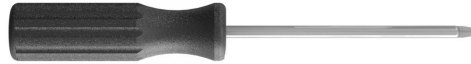
1/8", 3/16", 3/8" &
7/16" Drill Bits



Open End
Wrenches 1/2" &
9/16"



3/8" Drive Ratchet, 1/2" &
7/16" STD Sockets 1/2" & 7/16"
Deep Sockets



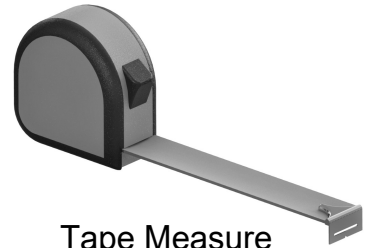
Phillips Screw Driver



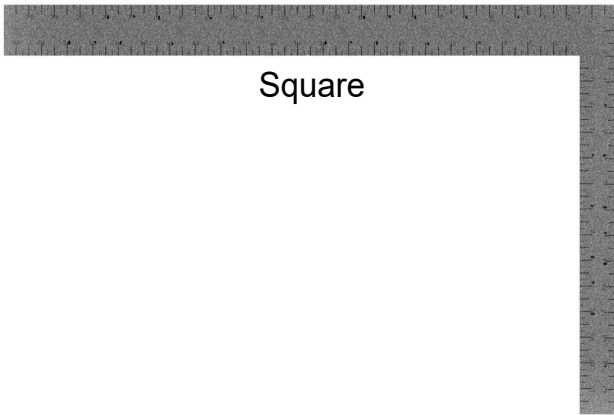
Claw Hammer



Rubber Mallet
- Optional



Tape Measure



Square




Level 24"

PRE-ASSEMBLY STEP 3 - CHOOSE YOUR ASSEMBLY METHOD

There are several types of assembly instructions available to you.

1. Printed Assembly Manual included with your set
2. BILT APP - 3D interactive instructions
3. Combination of the Printed Manual and BILT APP (Note: Step numbers can differ between the two methods)



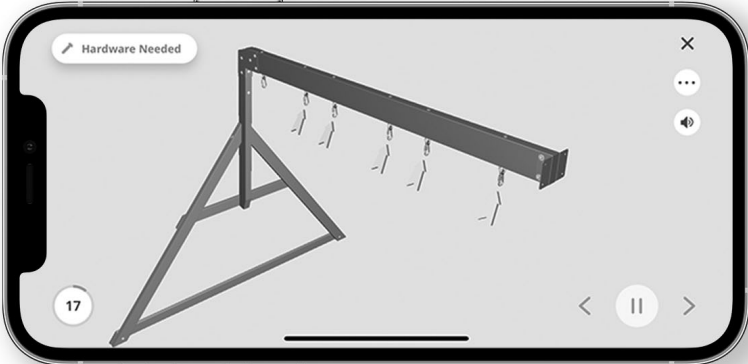
BILT.

Scan for easy
3D instructions

Download the BILT app
before you begin

Download on the
App Store

GET IT ON
Google Play

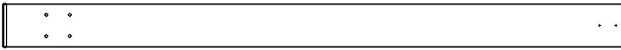


Hardware Needed

17

The image shows a smartphone screen displaying a 3D assembly instruction. The screen features a 3D model of a metal frame structure. At the top left, there is a button labeled 'Hardware Needed'. At the bottom left, a circular icon contains the number '17'. At the bottom right, there are navigation icons: a back arrow, a pause button, and a forward arrow. The entire advertisement is enclosed in a grey border.

STEP 4 - PERGOLA ASSEMBLY



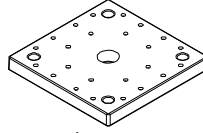
P01 | POST - W2A03241
(2) | 6"x6"x89 1/2" (152x152x2274)



P02 | POST - W2A03242
(2) | 6"x6"x89 1/2" (152x152x2274)



P03 | POST - W2A03244
(2) | 6"x6"x89 1/2" (152x152x2274)



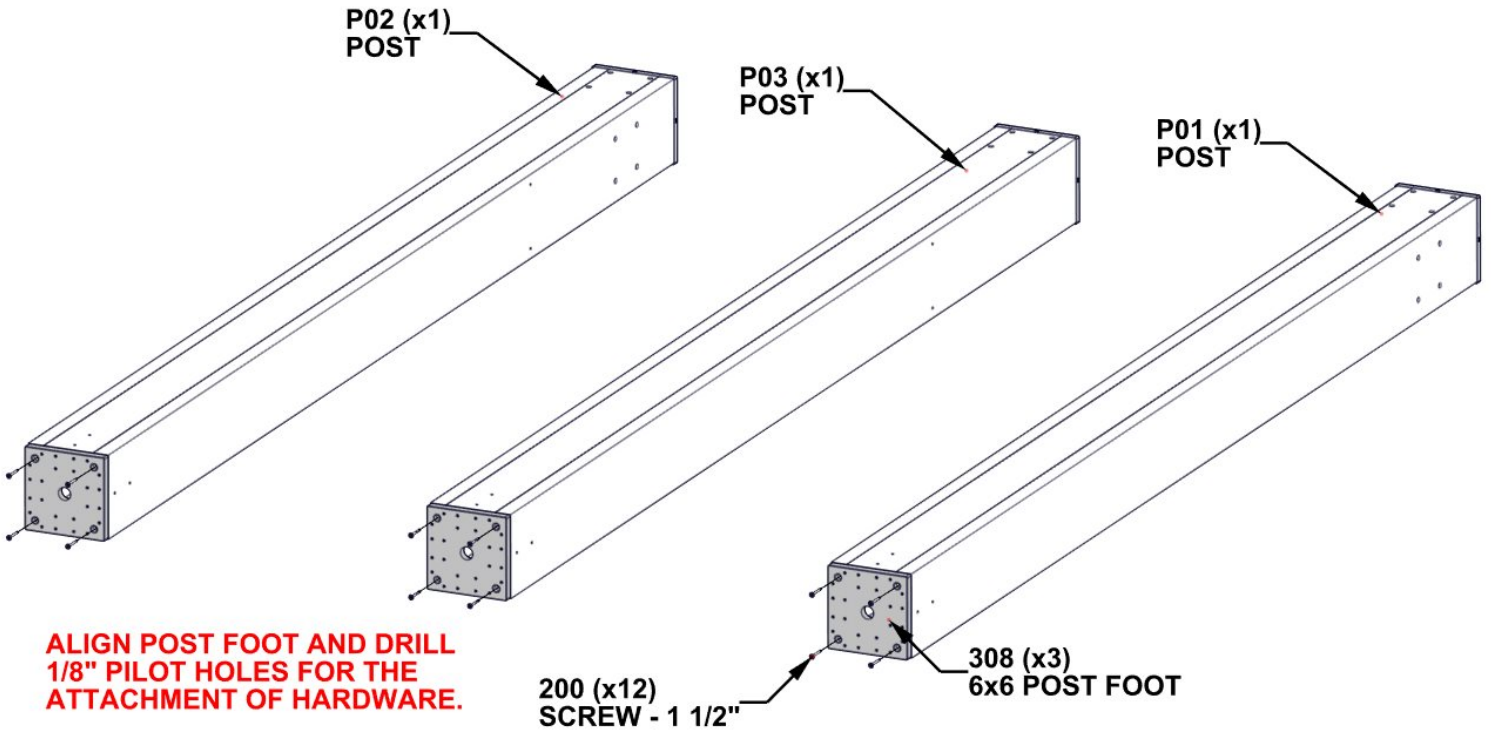
A6P00308 | 6x6 POST FOOT
(6)



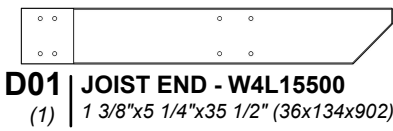
H100200 | SCREW PFH BLK
(24) | 8x1 1/2

COMPLETE THIS STEP TWICE.

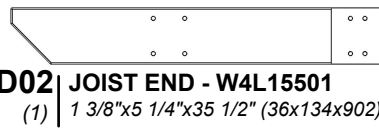
FOR EASE OF ASSEMBLY, WE RECOMMEND USING SAW HORSES FOR STEPS 4-14.



STEP 5 - PERGOLA ASSEMBLY



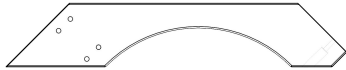
D01 | JOIST END - W4L15500
(1) | 1 3/8"x5 1/4"x35 1/2" (36x134x902)



D02 | JOIST END - W4L15501
(1) | 1 3/8"x5 1/4"x35 1/2" (36x134x902)



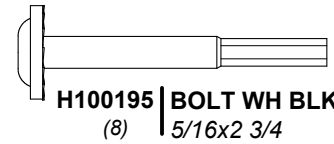
D07 | JOIST - W4L15506
(1) | 1 3/8"x5 1/4"x83 1/8" (36x134x2112)



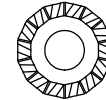
D12 | CORBEL - W4L15513
(1) | 1 3/8"x5 1/4"x28 1/4" (36x134x719)



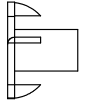
D13 | CORBEL - W2A03243
(1) | 1 3/8"x5 1/4"x28 1/4" (36x134x719)



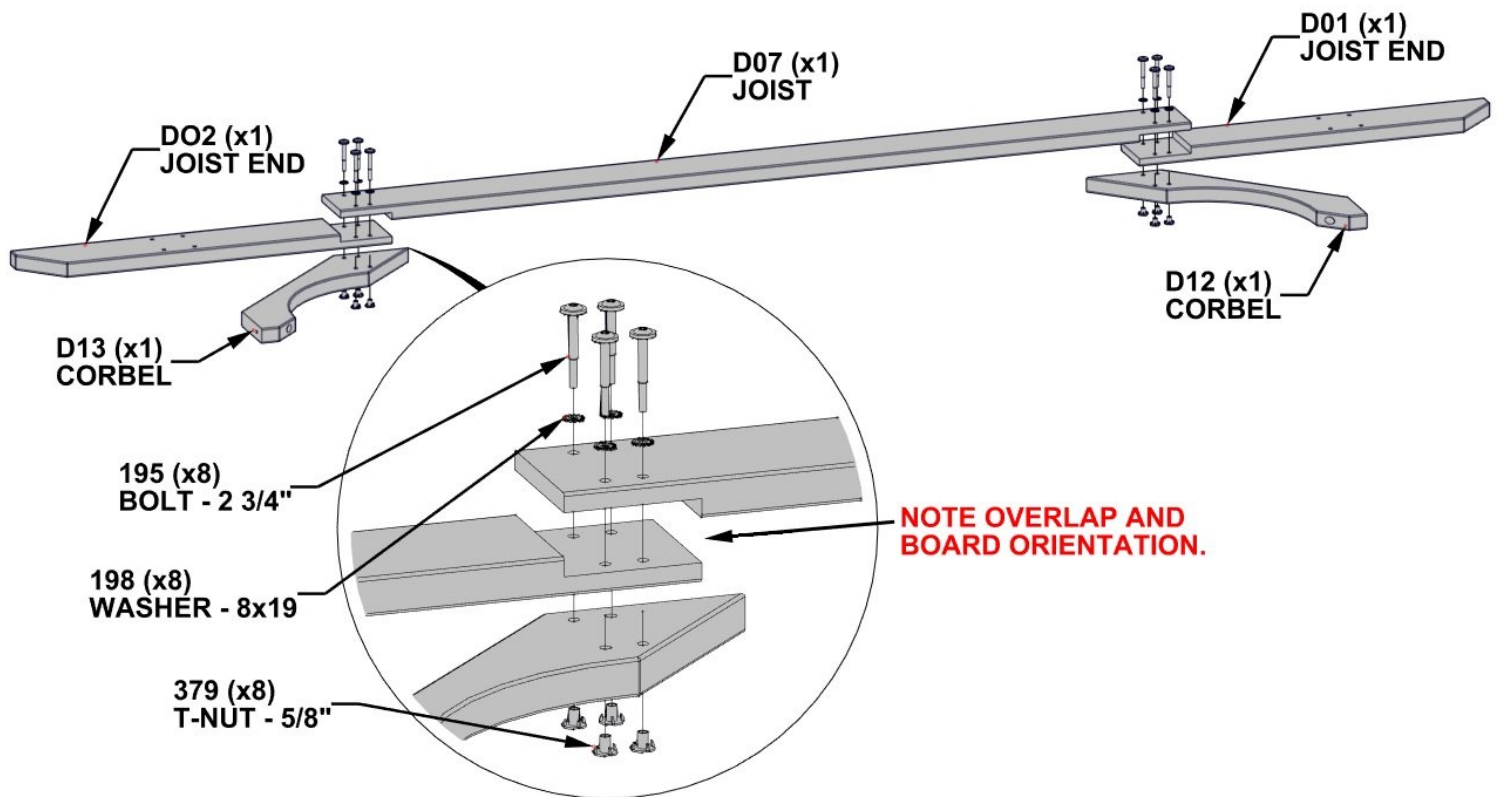
H100195 | BOLT WH BLK
(8) | 5/16x2 3/4



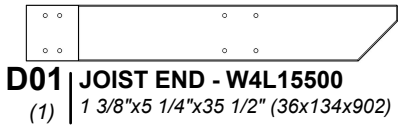
**H100198 | WASHER LOCK
EXT BLK 8x19**
(8)



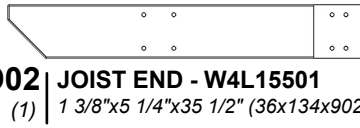
H100379 | T-NUT BLK
(8) | 5/16x5/8



STEP 6 - PERGOLA ASSEMBLY



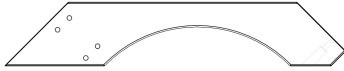
D01 | JOIST END - W4L15500
(1) | 1 3/8"x5 1/4"x35 1/2" (36x134x902)



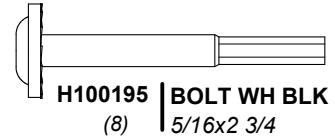
D02 | JOIST END - W4L15501
(1) | 1 3/8"x5 1/4"x35 1/2" (36x134x902)



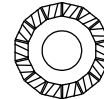
D07 | JOIST - W4L15506
(1) | 1 3/8"x5 1/4"x83 1/8" (36x134x2112)



D12 | CORBEL - W4L15513
(2) | 1 3/8"x5 1/4"x28 1/4" (36x134x719)



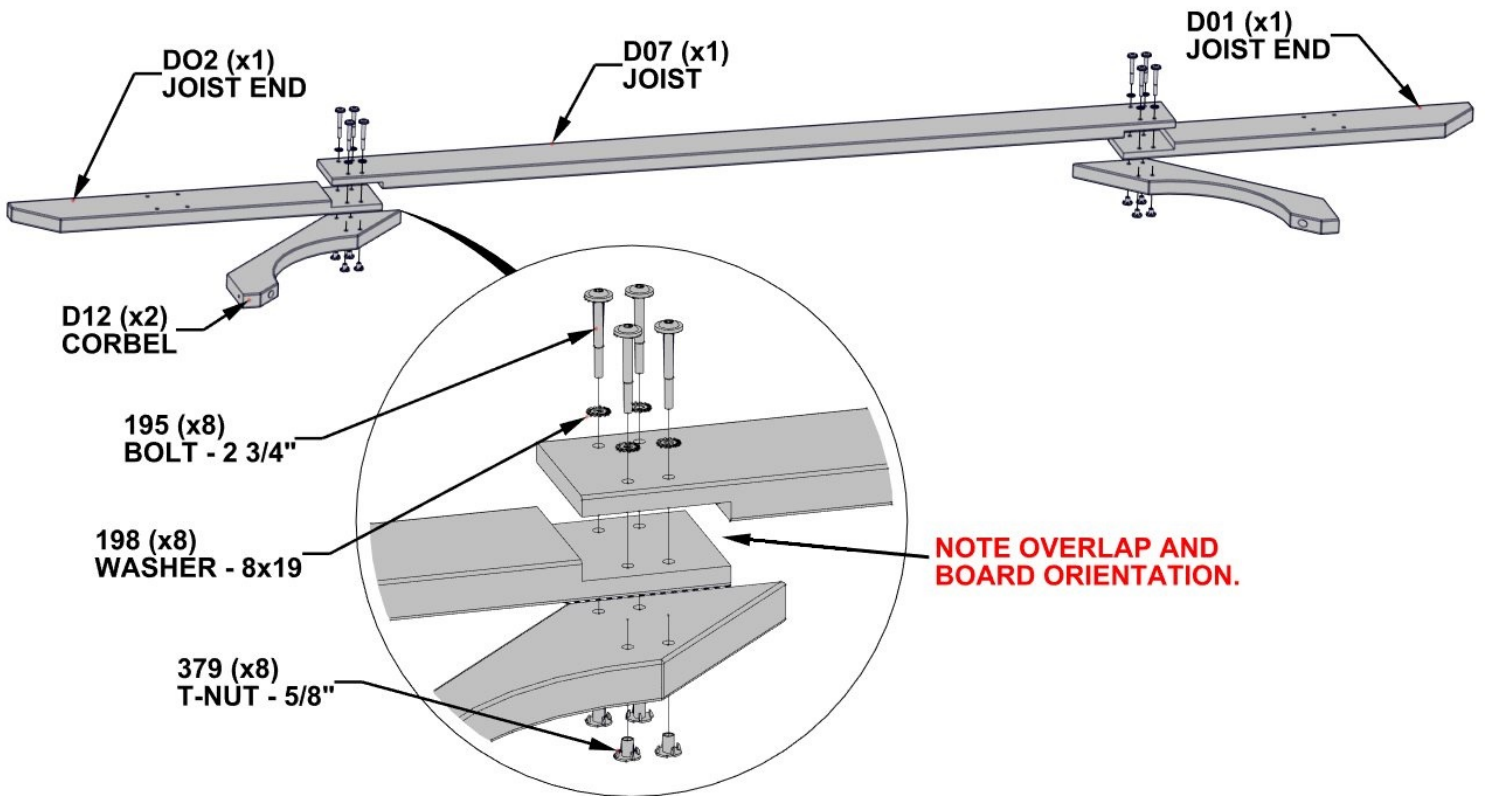
H100195 | BOLT WH BLK
(8) | 5/16x2 3/4



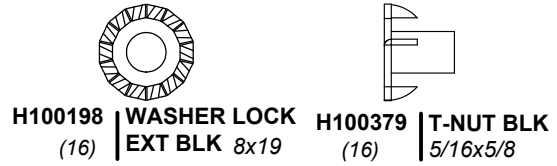
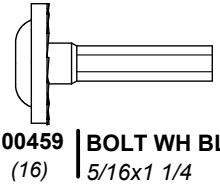
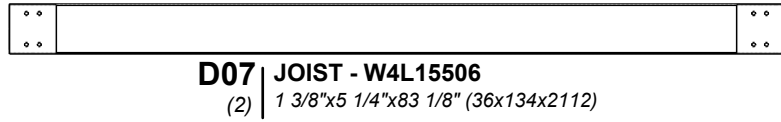
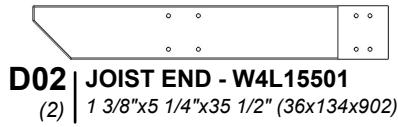
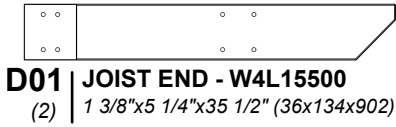
**H100198 | WASHER LOCK
EXT BLK 8x19**
(8)



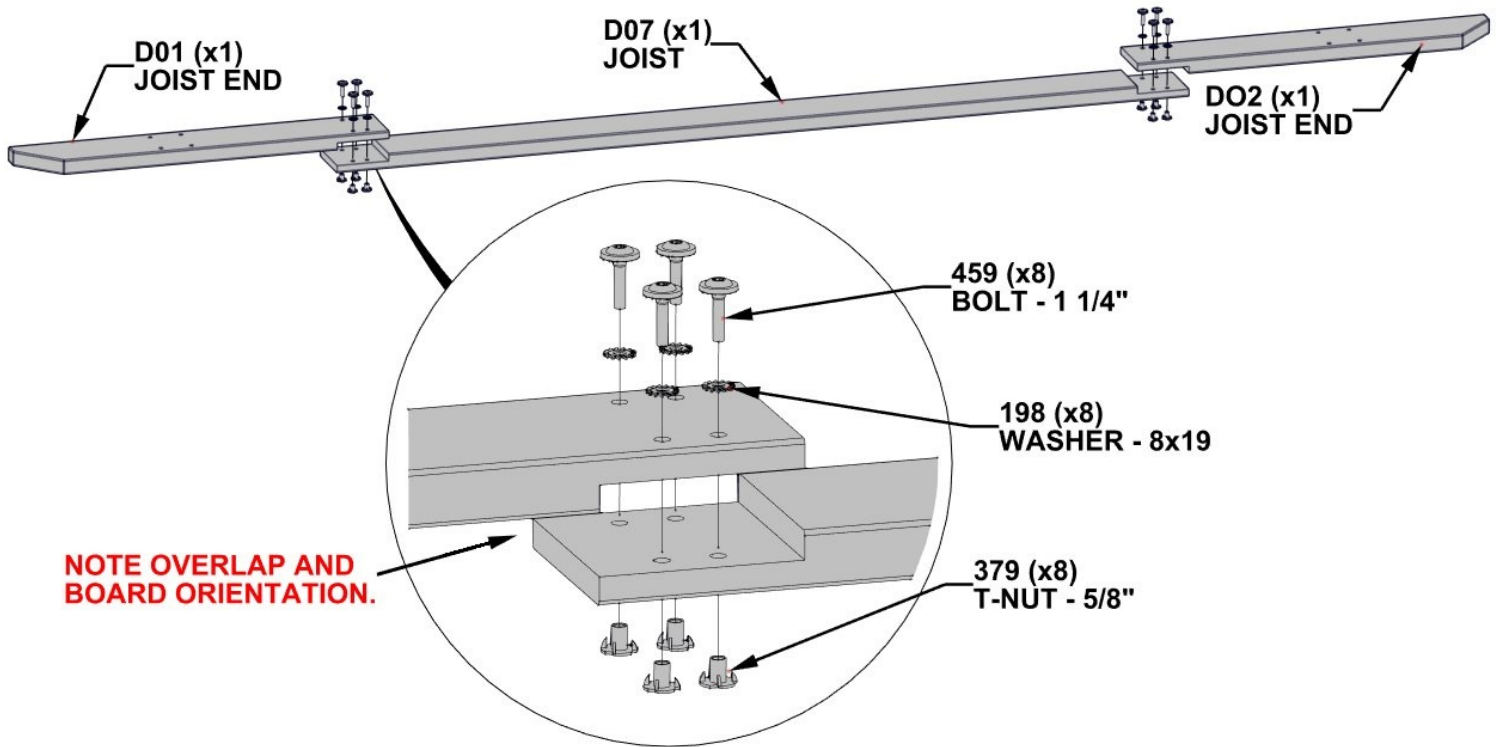
H100379 | T-NUT BLK
(8) | 5/16x5/8



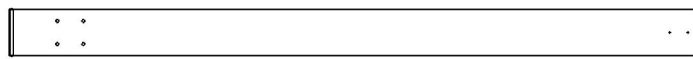
STEP 7 - PERGOLA ASSEMBLY



COMPLETE THIS STEP TWICE.



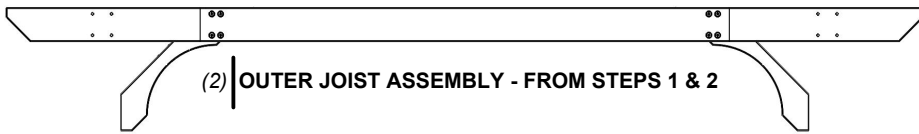
STEP 8 - PERGOLA ASSEMBLY



P01 | POST - W2A03241
(2) 6"x6"x89 1/2" (152x152x2274)



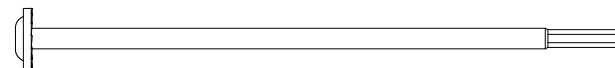
P02 | POST - W2A03242
(2) 6"x6"x89 1/2" (152x152x2274)



(2) **OUTER JOIST ASSEMBLY - FROM STEPS 1 & 2**



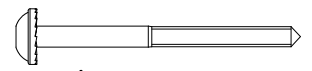
(2) **INNER JOIST ASSEMBLY - FROM STEP 3**



H101058 | BOLT WH BLK
(16) 5/16x8 3/4



H100379 | T-NUT BLK
(16) 5/16x5/8



H100792 | LAG SCREW WH BLK
(4) 1/4x3



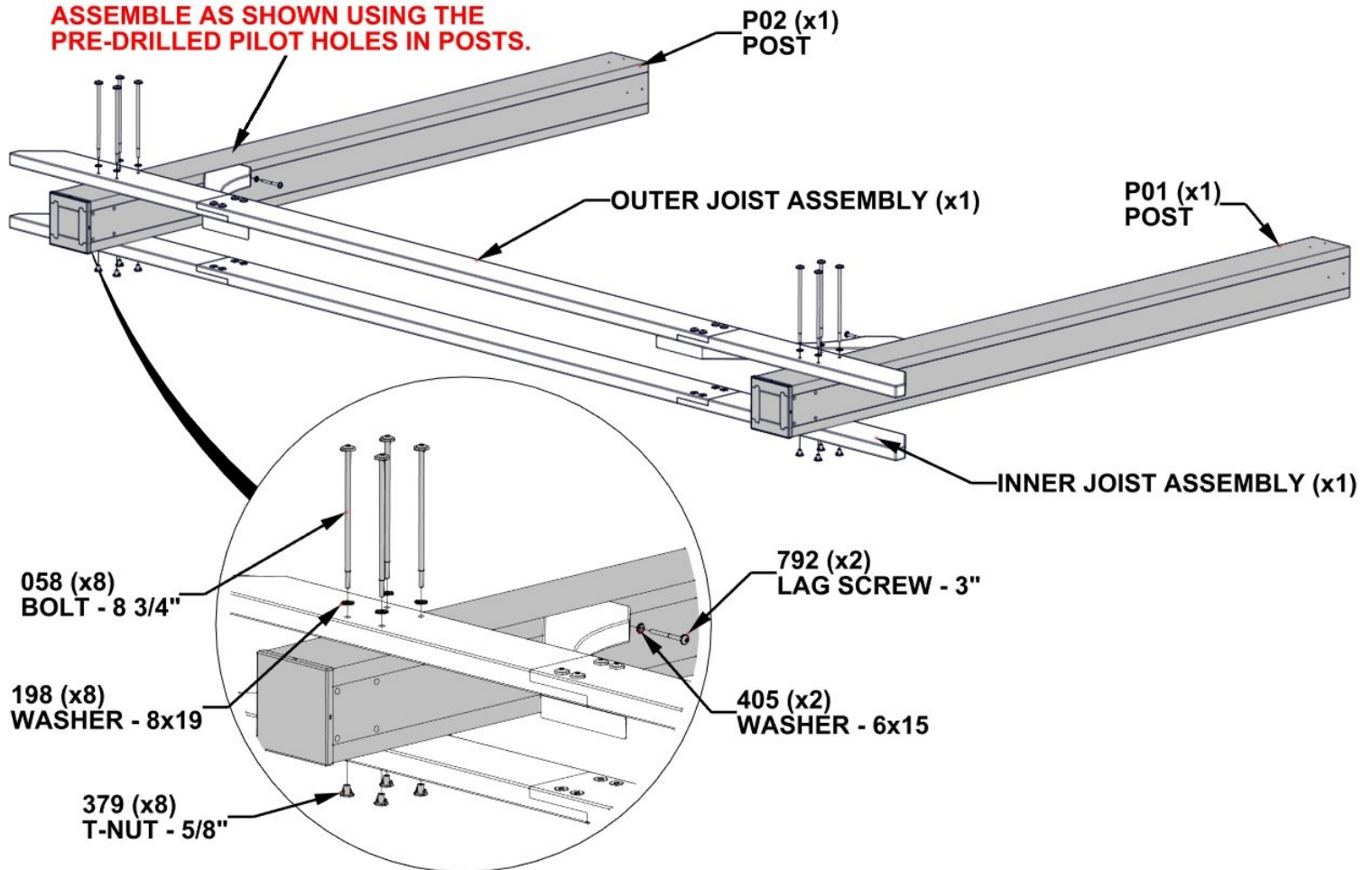
H100198 | WASHER LOCK
(16) EXT BLK 8x19



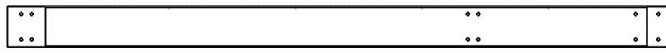
H100405 | WASHER LOCK
(4) EXT BLK 6x15

COMPLETE THIS STEP TWICE.

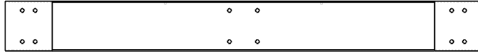
ASSEMBLE AS SHOWN USING THE PRE-DRILLED PILOT HOLES IN POSTS.



STEP 9 - PERGOLA ASSEMBLY



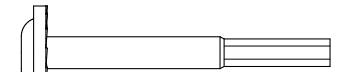
D08 | JOIST - W4L15523
 (1) | 1 3/8"x5 1/4"x87 1/2" (36x134x2223)



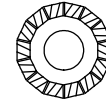
D17 | JOIST - W4L15527
 (1) | 1 3/8"x5 1/4"x51" (36x134x1296)



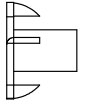
D11 | CORBEL - W4L15510
 (2) | 1 3/8"x5 1/4"x32 1/2" (36x134x826)



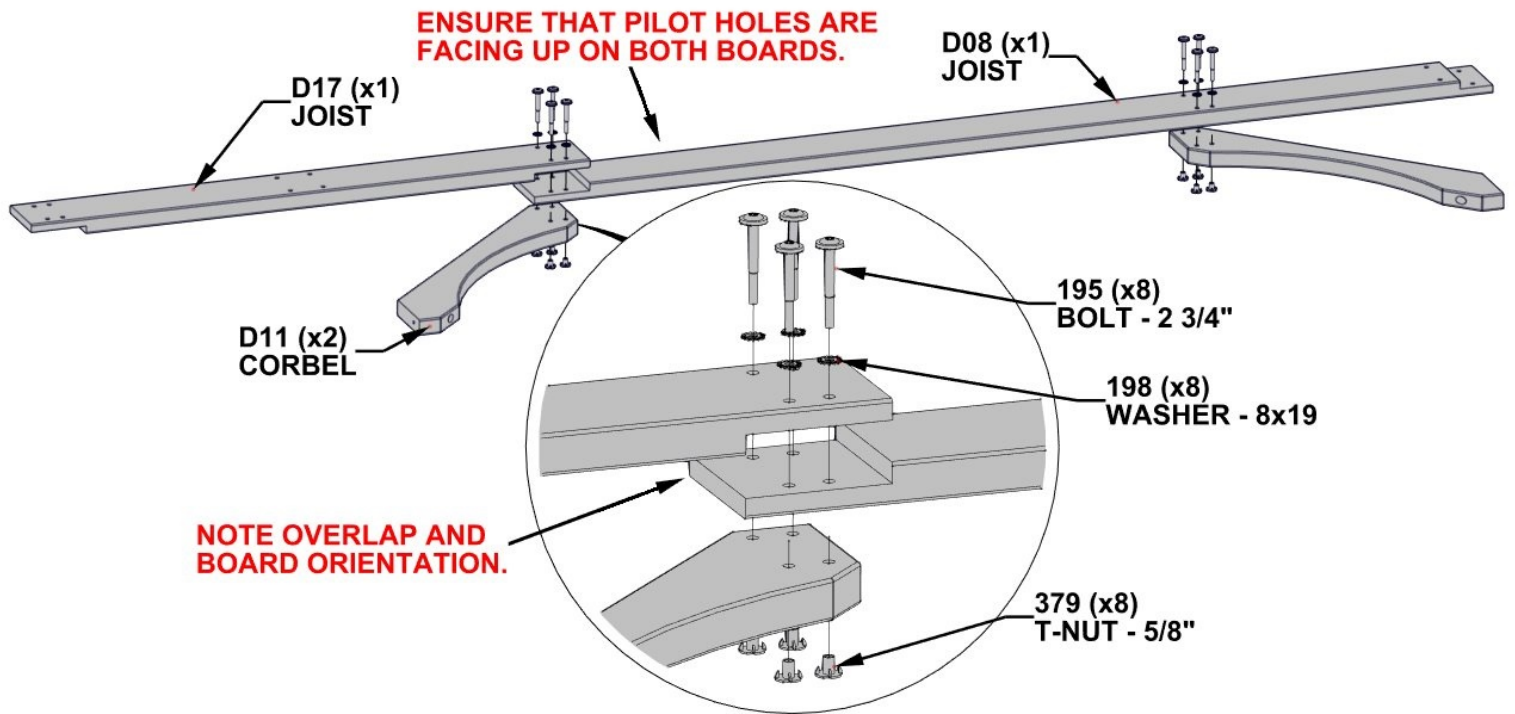
H100195 | BOLT WH BLK
 (8) | 5/16x2 3/4



H100198 | WASHER LOCK
 (8) | EXT BLK 8x19



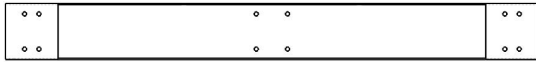
H100379 | T-NUT BLK
 (8) | 5/16x5/8



STEP 10 - PERGOLA ASSEMBLY



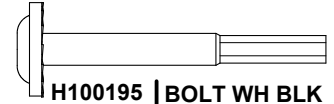
D16 | JOIST - W4L15526
(1) | 1 3/8"x5 1/4"x87 1/2" (36x134x2223)



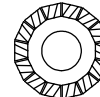
D18 | JOIST - W4L15528
(1) | 1 3/8"x5 1/4"x51" (36x134x1296)



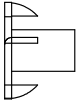
D11 | CORBEL - W4L15510
(2) | 1 3/8"x5 1/4"x32 1/2" (36x134x826)



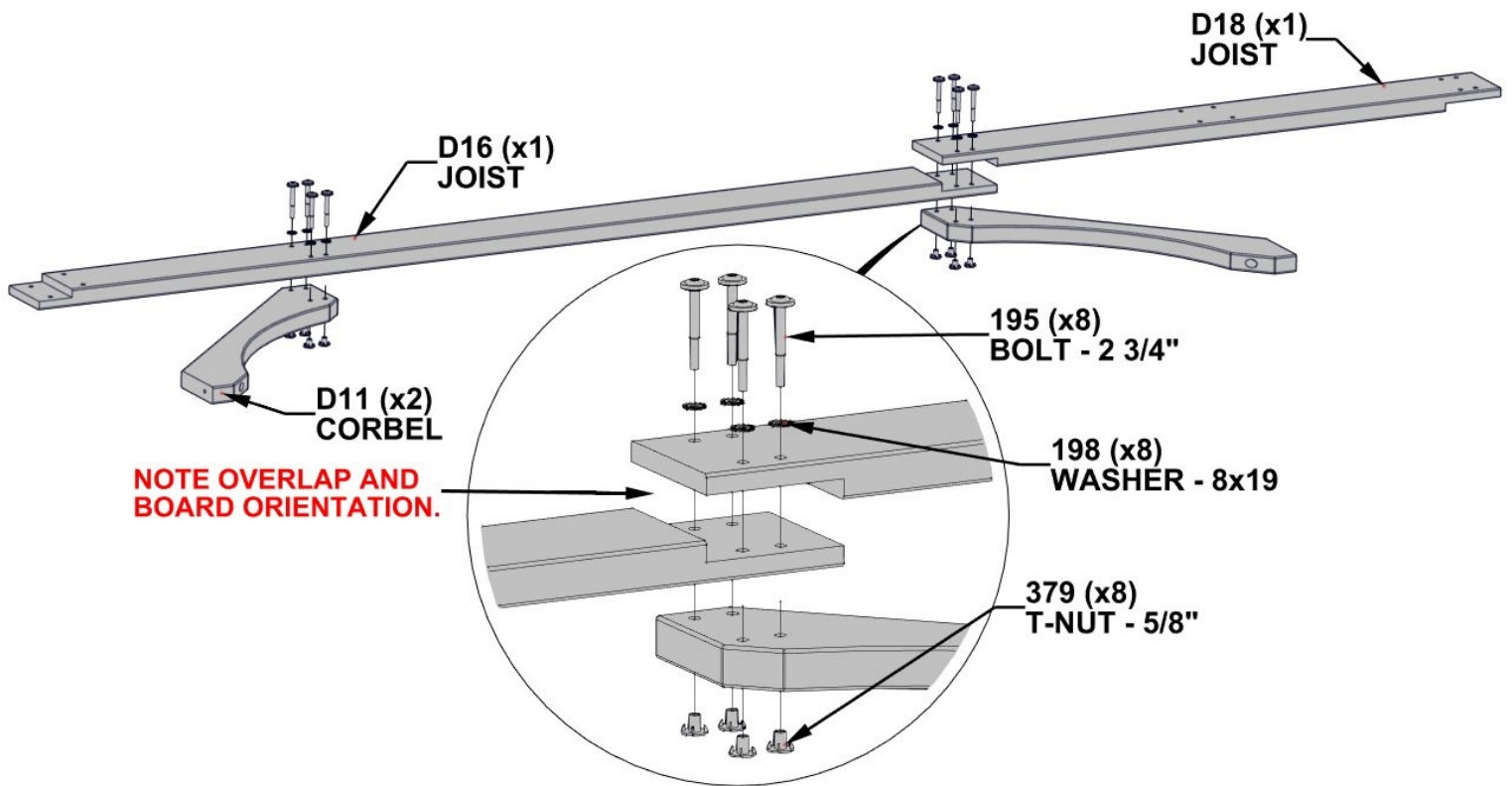
H100195 | BOLT WH BLK
(8) | 5/16x2 3/4



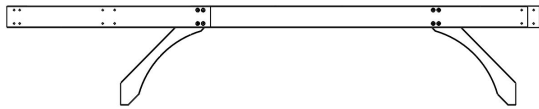
H100198 | WASHER LOCK
(8) | EXT BLK 8x19



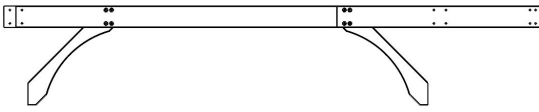
H100379 | T-NUT BLK
(8) | 5/16x5/8



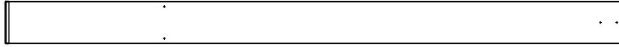
STEP 11 - PERGOLA ASSEMBLY



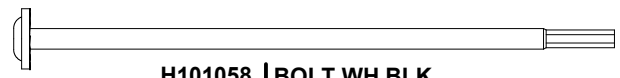
(1) OUTER JOIST ASSEMBLY - FROM STEP 9



(1) INNER JOIST ASSEMBLY - FROM STEP 10



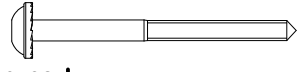
P03 | POST - W2A03244
(1) 6"x6"x89 1/2" (152x152x2274)



H101058 | BOLT WH BLK
(4) 5/16x8 3/4



H100379 | T-NUT BLK
(4) 5/16x5/8



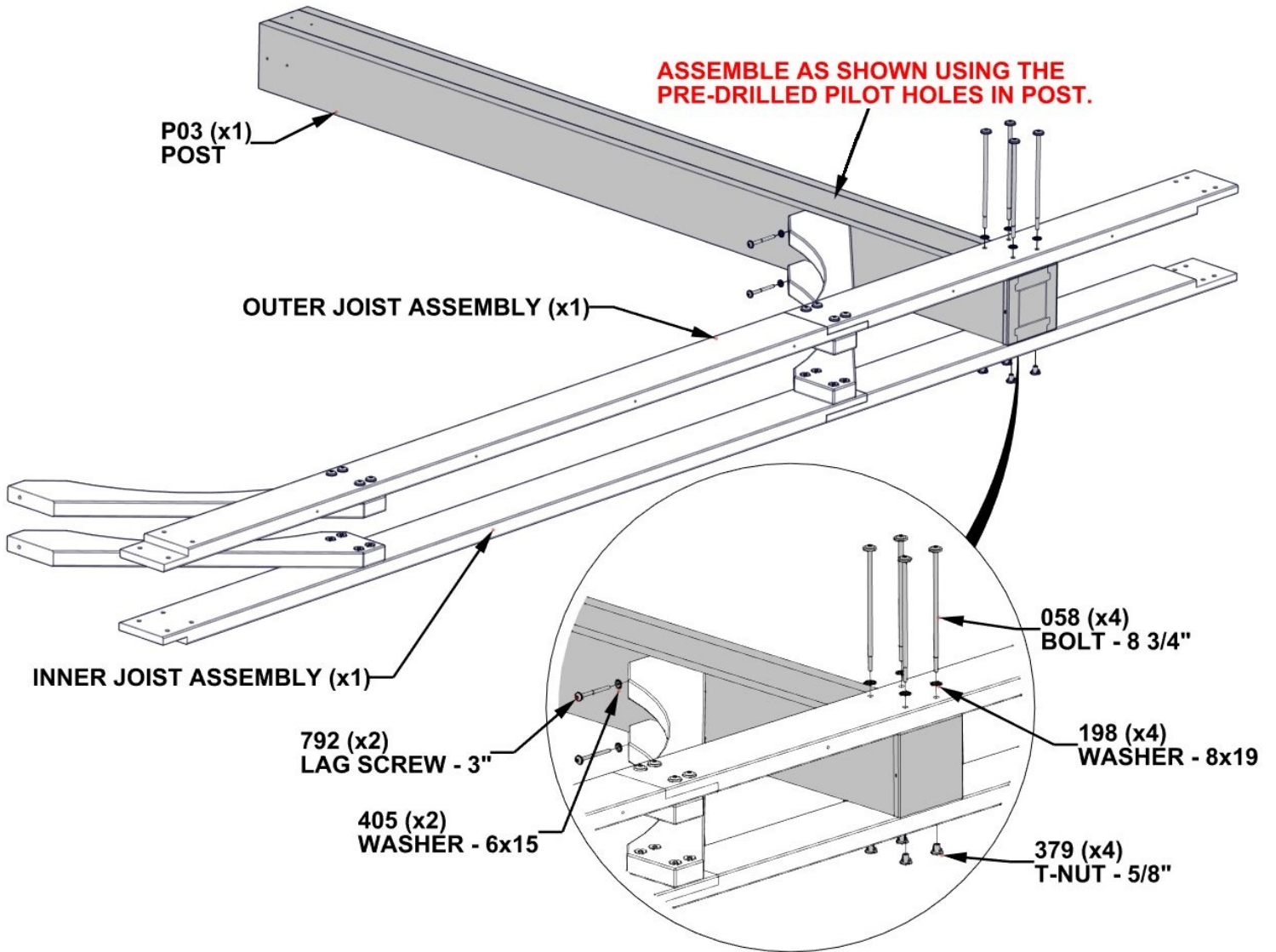
H100792 | LAG SCREW WH BLK
(2) 1/4x3



H100198 | WASHER LOCK
(4) EXT BLK 8x19



H100405 | WASHER LOCK
(2) EXT BLK 6x15

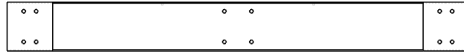


SIDE ASSEMBLY A

STEP 12 - PERGOLA ASSEMBLY



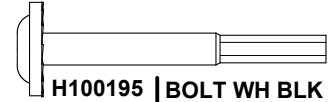
D09 | JOIST - W4L15524
 (1) 1 3/8"x5 1/4"x87 1/2" (36x134x2223)



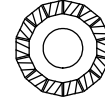
D17 | JOIST - W4L15527
 (1) 1 3/8"x5 1/4"x51" (36x134x1296)



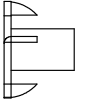
D11 | CORBEL - W4L15510
 (2) 1 3/8"x5 1/4"x32 1/2" (36x134x826)



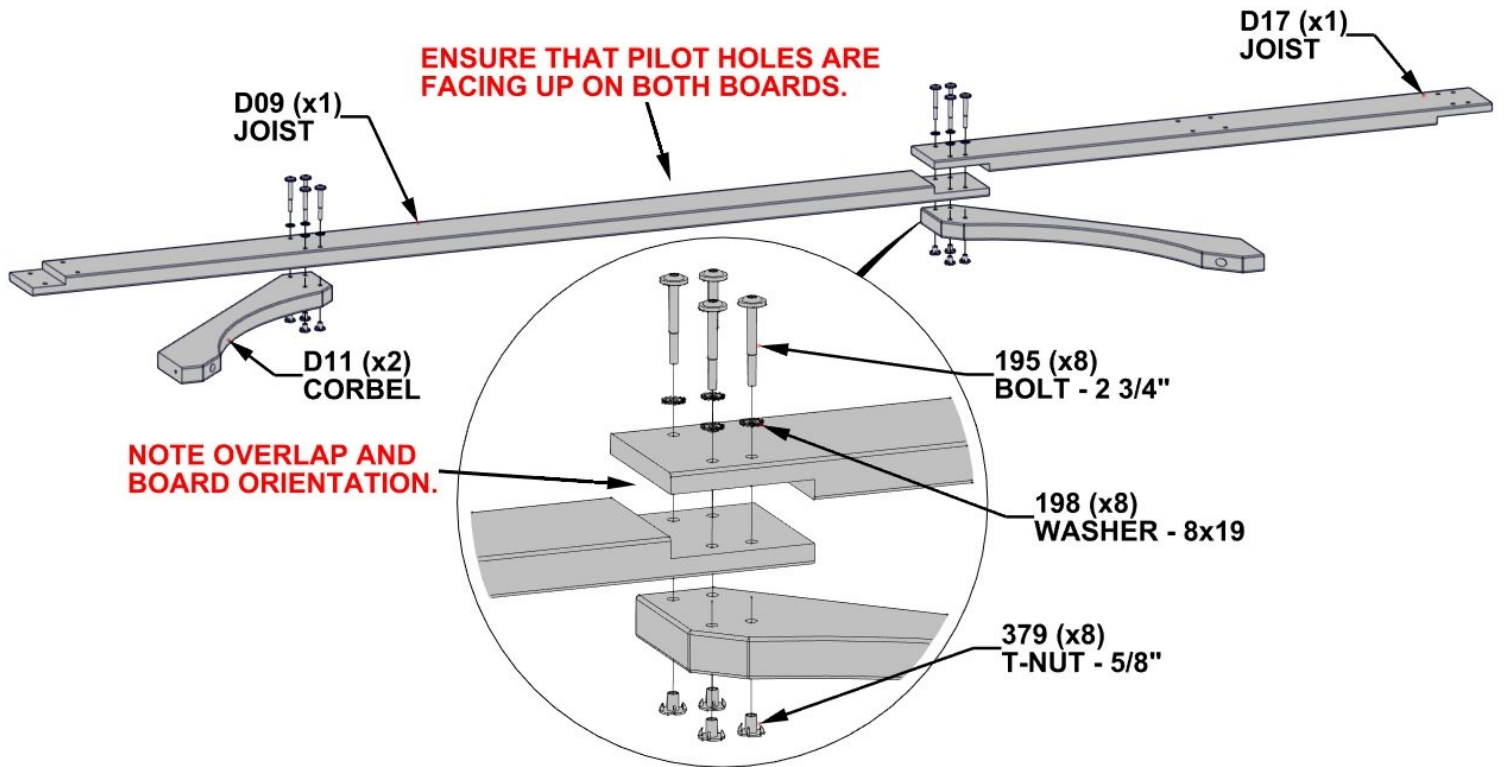
H100195 | BOLT WH BLK
 (8) 5/16x2 3/4



H100198 | WASHER LOCK
 (8) EXT BLK 8x19



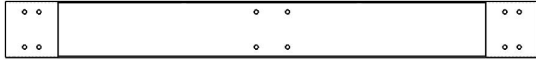
H100379 | T-NUT BLK
 (8) 5/16x5/8



STEP 13 - PERGOLA ASSEMBLY



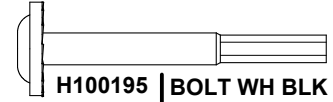
D10 | JOIST - W4L15525
 (1) | 1 3/8"x5 1/4"x87 1/2" (36x134x2223)



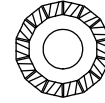
D18 | JOIST - W4L15528
 (1) | 1 3/8"x5 1/4"x51" (36x134x1296)



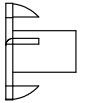
D11 | CORBEL - W4L15510
 (2) | 1 3/8"x5 1/4"x32 1/2" (36x134x826)



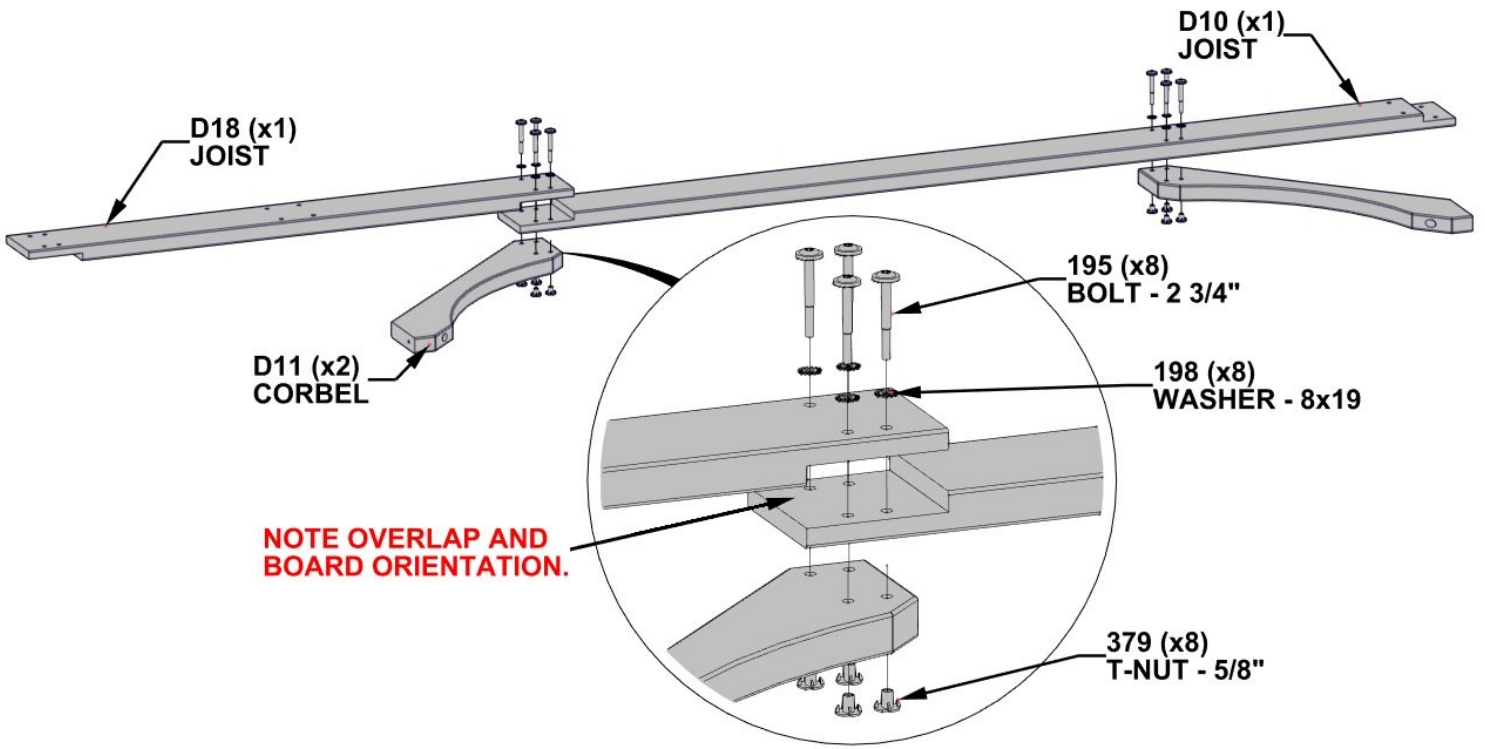
H100195 | BOLT WH BLK
 (8) | 5/16x2 3/4



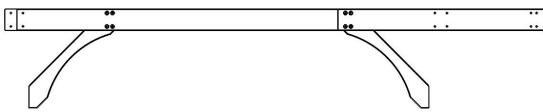
H100198 | WASHER LOCK
 (8) | EXT BLK 8x19



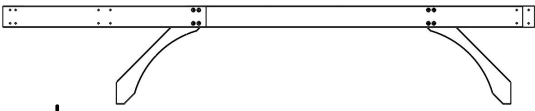
H100379 | T-NUT BLK
 (8) | 5/16x5/8



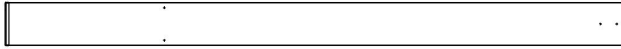
STEP 14 - PERGOLA ASSEMBLY



(1) OUTER JOIST ASSEMBLY - FROM STEP 12

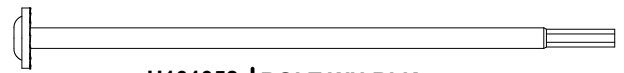


(1) INNER JOIST ASSEMBLY - FROM STEP 13



P03 | POST - W2A03244

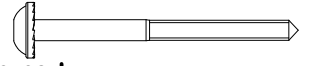
(1) 6"x6"x89 1/2" (152x152x2274)



H101058 | BOLT WH BLK
(4) 5/16x8 3/4



H100379 | T-NUT BLK
(4) 5/16x5/8



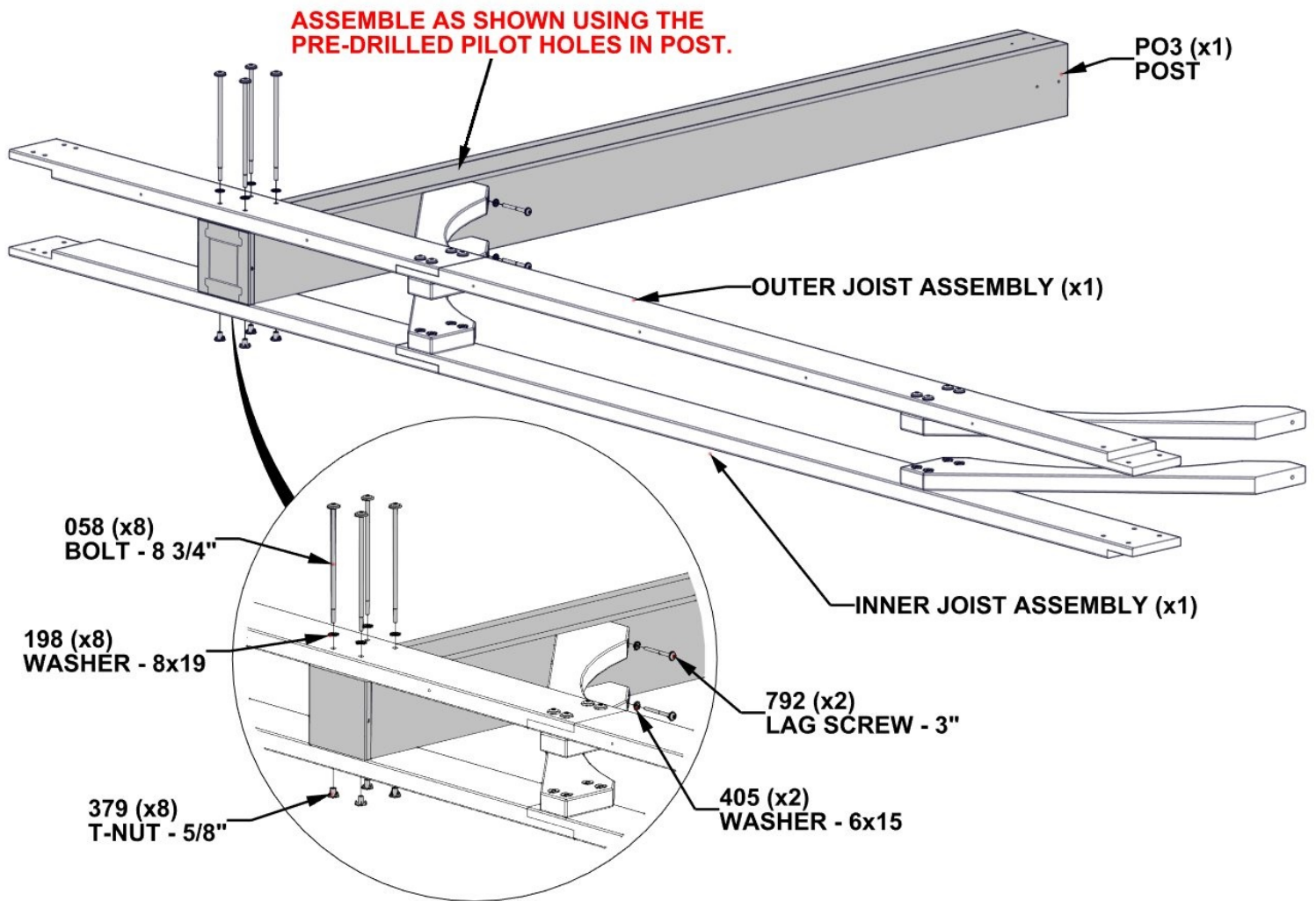
H100792 | LAG SCREW WH BLK
(2) 1/4x3



H100198 | WASHER LOCK
(4) EXT BLK 8x19

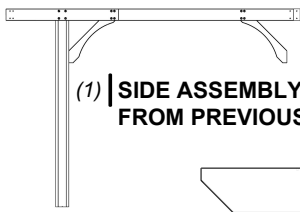


H100405 | WASHER LOCK
(2) EXT BLK 6x15

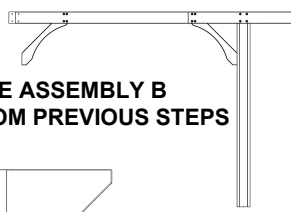


SIDE ASSEMBLY B

STEP 15 - PERGOLA ASSEMBLY



(1) SIDE ASSEMBLY A FROM PREVIOUS STEPS



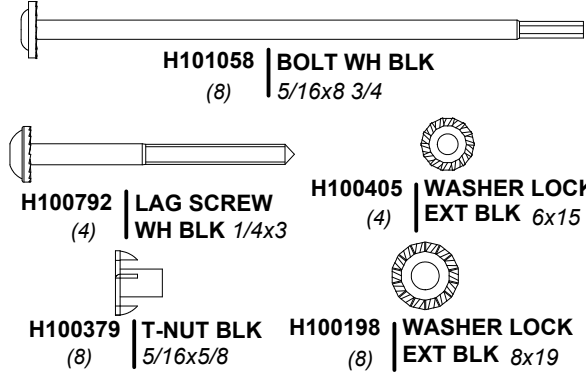
(1) SIDE ASSEMBLY B FROM PREVIOUS STEPS

D03 JOIST END - W4L15502
(1) 1 3/8"x5 1/4"x15" (36x134x382)

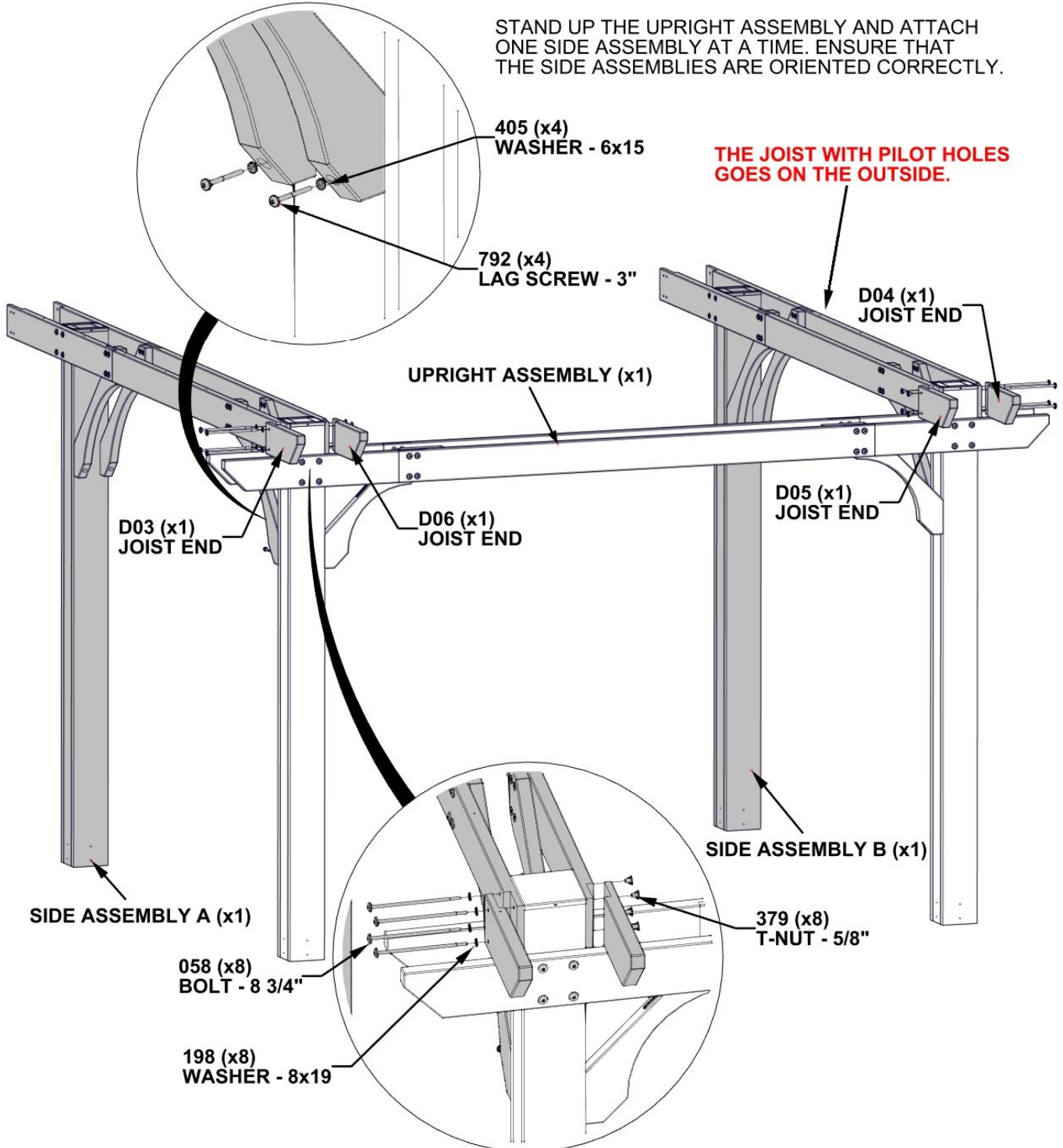
D04 JOIST END - W4L15503
(1) 1 3/8"x5 1/4"x15" (36x134x382)

D05 JOIST END - W4L15529
(1) 1 3/8"x5 1/4"x15" (36x134x382)

D06 JOIST END - W4L15530
(1) 1 3/8"x5 1/4"x15" (36x134x382)

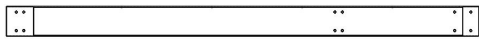


STAND UP THE UPRIGHT ASSEMBLY AND ATTACH ONE SIDE ASSEMBLY AT A TIME. ENSURE THAT THE SIDE ASSEMBLIES ARE ORIENTED CORRECTLY.

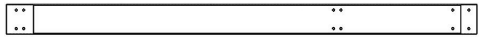


NOTE: A THIRD PERSON MAY BE HELPFUL.

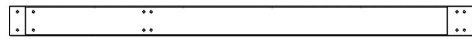
STEP 16 A - PERGOLA ASSEMBLY



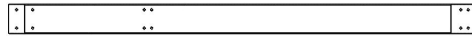
D08 | JOIST - W4L15523
(1) | 1 3/8"x5 1/4"x87 1/2" (36x134x2223)



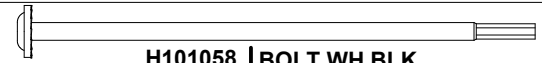
D10 | JOIST - W4L15525
(1) | 1 3/8"x5 1/4"x87 1/2" (36x134x2223)



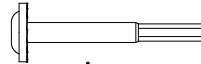
D09 | JOIST - W4L15524
(1) | 1 3/8"x5 1/4"x87 1/2" (36x134x2223)



D16 | JOIST - W4L15526
(1) | 1 3/8"x5 1/4"x87 1/2" (36x134x2223)



H101058 | BOLT WH BLK
(4) | 5/16x8 3/4



H100195 | BOLT WH BLK
(16) | 5/16x2 3/4



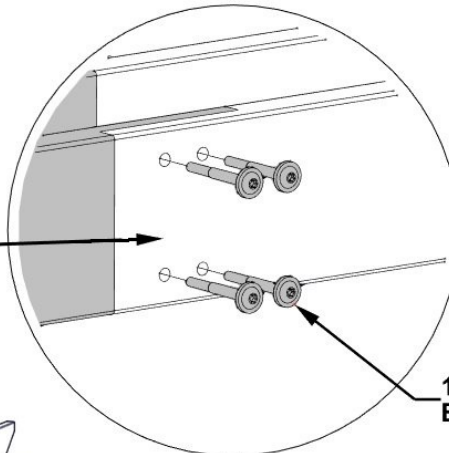
H100198 | WASHER LOCK
(4) | EXT BLK 8x19



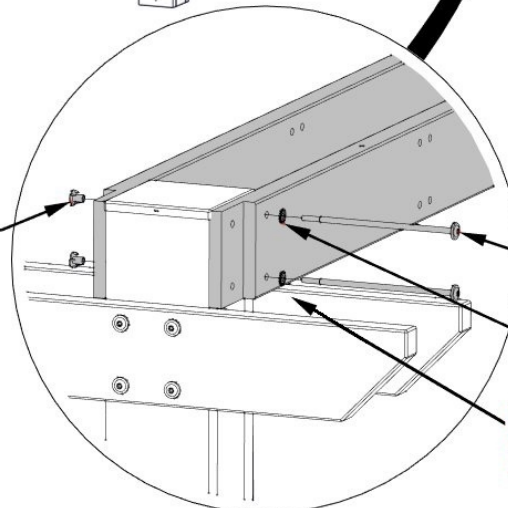
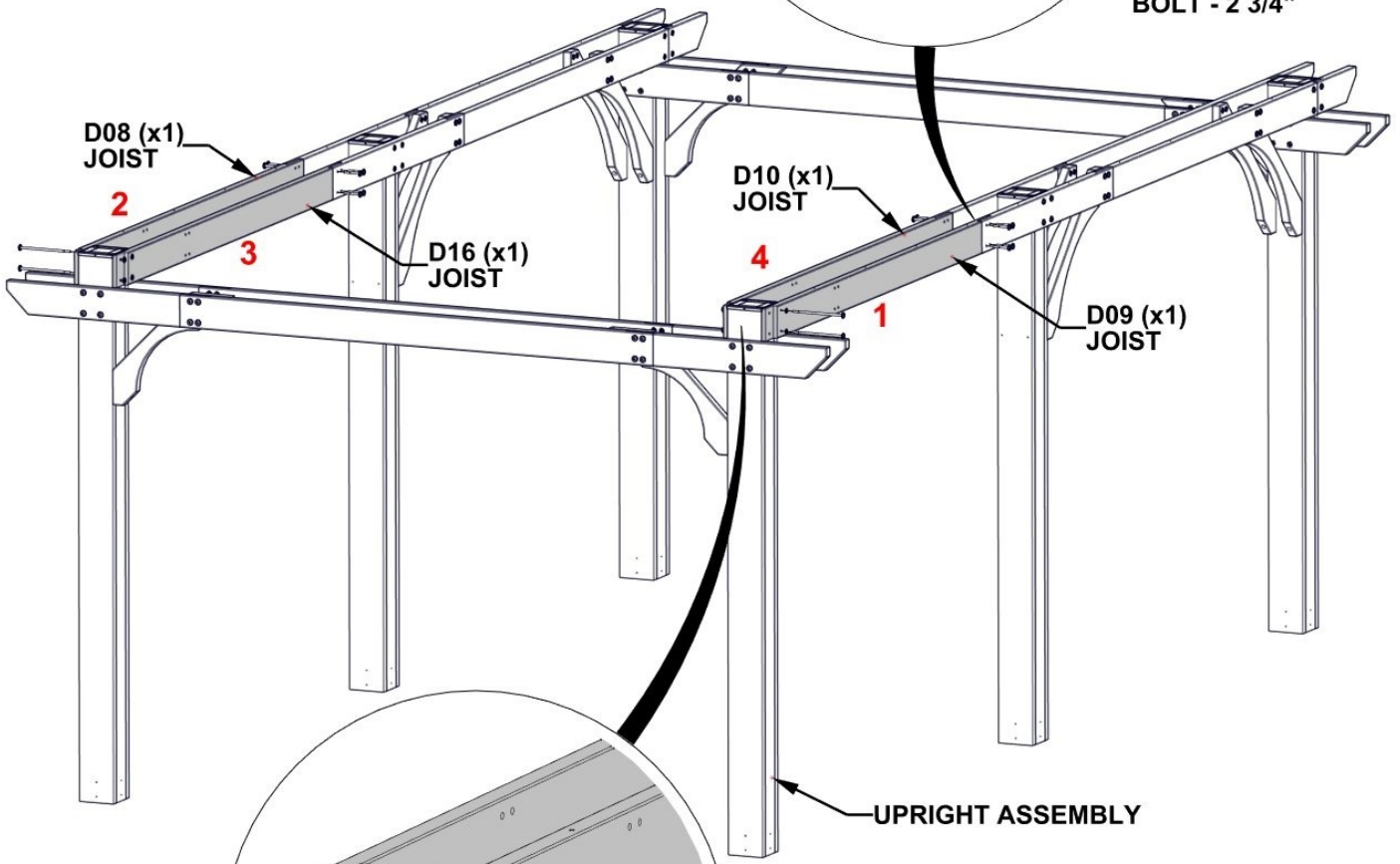
H100379 | T-NUT BLK
(4) | 5/16x5/8

STAND UP UPRIGHT ASSEMBLY, THEN PUT D09 INTO POSITION AS SHOWN. ATTACH JOISTS AS SHOWN IN THE NUMBERED ORDER.

INSERT BOLTS INTO BOLT HOLES TO HOLD THE ASSEMBLY TOGETHER UNTIL THE NEXT STEP.



**195 (x16)
BOLT - 2 3/4"**



**379 (x4)
T-NUT - 5/8"**

**058 (x4)
BOLT - 8 3/4"**

**198 (x4)
WASHER - 8x19**

INSERT BOLTS WITH WASHERS ON TO HOLD THE ASSEMBLY IN POSITION UNTIL INNER JOISTS ARE ATTACHED, THEN TIGHTEN BOLTS WITH T-NUTS.

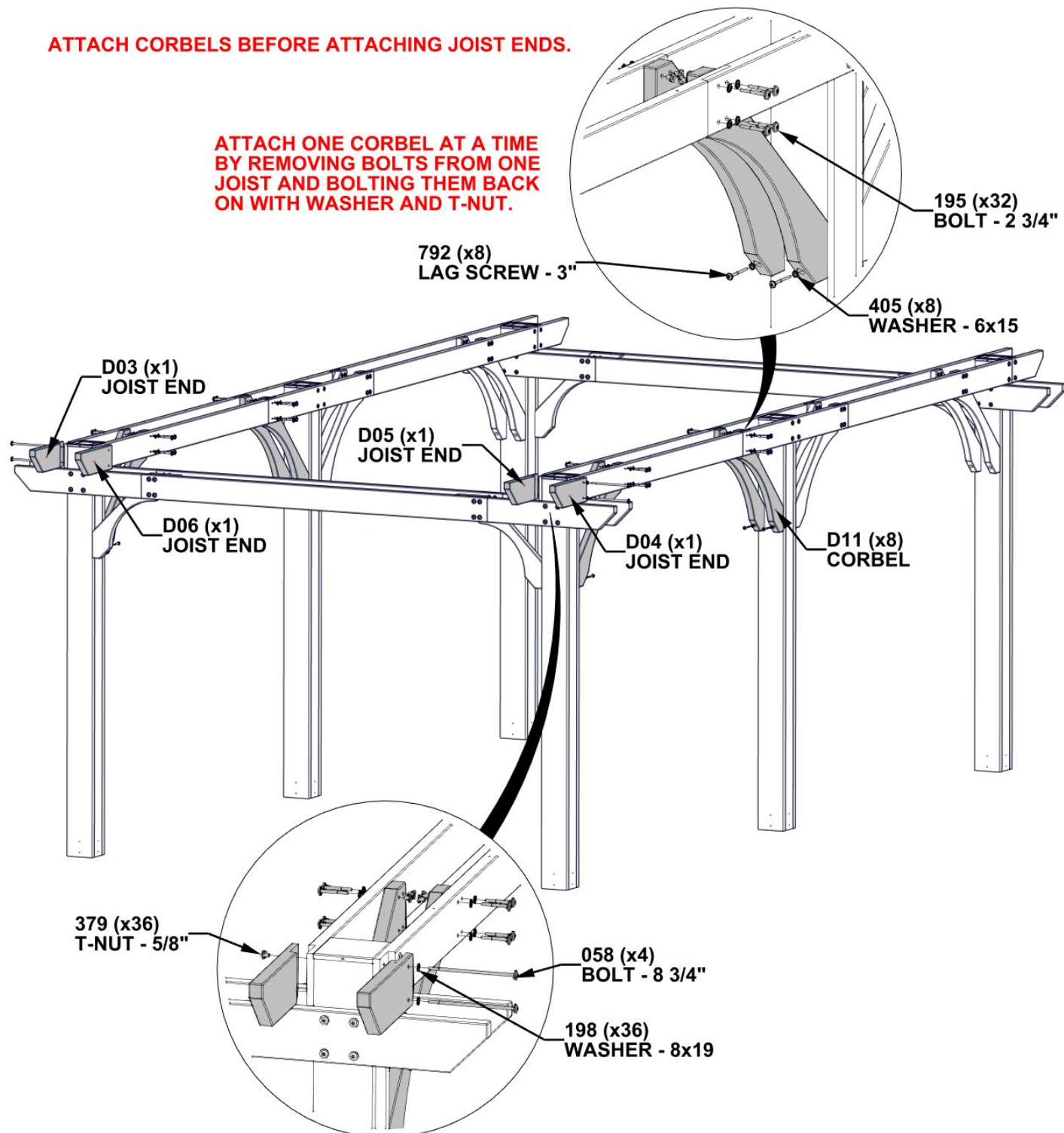
STEP 16 B - PERGOLA ASSEMBLY

- D03** | JOIST END - W4L15502
(1) 1 3/8"x5 1/4"x15" (36x134x382)
- D04** | JOIST END - W4L15503
(1) 1 3/8"x5 1/4"x15" (36x134x382)
- D05** | JOIST END - W4L15529
(1) 1 3/8"x5 1/4"x15" (36x134x382)
- D06** | JOIST END - W4L15530
(1) 1 3/8"x5 1/4"x15" (36x134x382)
- D11** | CORBEL - W4L15510
(8) 1 3/8"x5 1/4"x32 1/2" (36x134x826)

- H101058** | BOLT WH BLK
(4) 5/16x8 3/4
- H100195** | BOLT WH BLK
(16) 5/16x2 3/4
- H100792** | LAG SCREW WH BLK
(8) 1/4x3
- H100405** | WASHER LOCK
(8) EXT BLK 6x15
- H100198** | WASHER LOCK
(36) EXT BLK 8x19
- H100379** | T-NUT BLK
(36) 5/16x5/8

ATTACH CORBELS BEFORE ATTACHING JOIST ENDS.

ATTACH ONE CORBEL AT A TIME BY REMOVING BOLTS FROM ONE JOIST AND BOLTING THEM BACK ON WITH WASHER AND T-NUT.



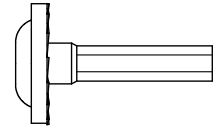
STEP 17 - PERGOLA ASSEMBLY



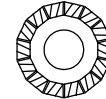
D14 | SLOTTED JOIST - W4L15515
(12) | 1 3/8"x5 1/4"x55 3/4" (36x134x1416)



D15 | SLOTTED JOIST - W4L15517
(12) | 1 3/8"x5 1/4"x89 1/2" (36x134x2274)



H100459 | BOLT WH BLK
(48) | 5/16x1 1/4

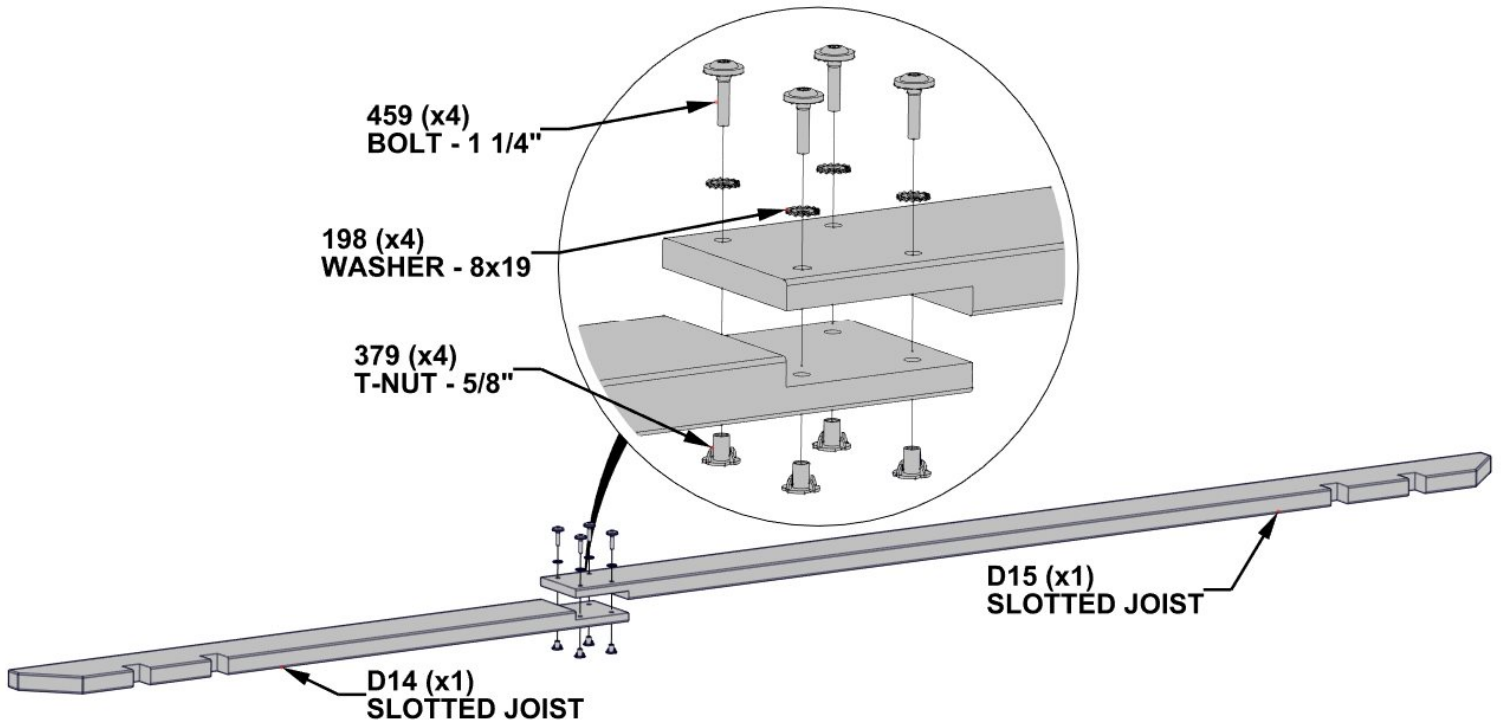


H100198 | WASHER LOCK
(48) | EXT BLK 8x19

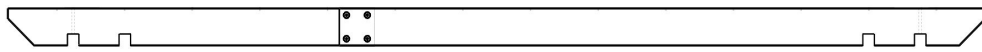


H100379 | T-NUT BLK
(48) | 5/16x5/8

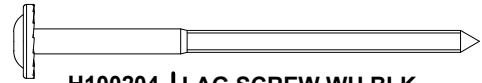
COMPLETE THIS STEP TWELVE TIMES.



STEP 18 - PERGOLA ASSEMBLY



(12) | SLOTTED JOIST ASSEMBLY - FROM STEP 14

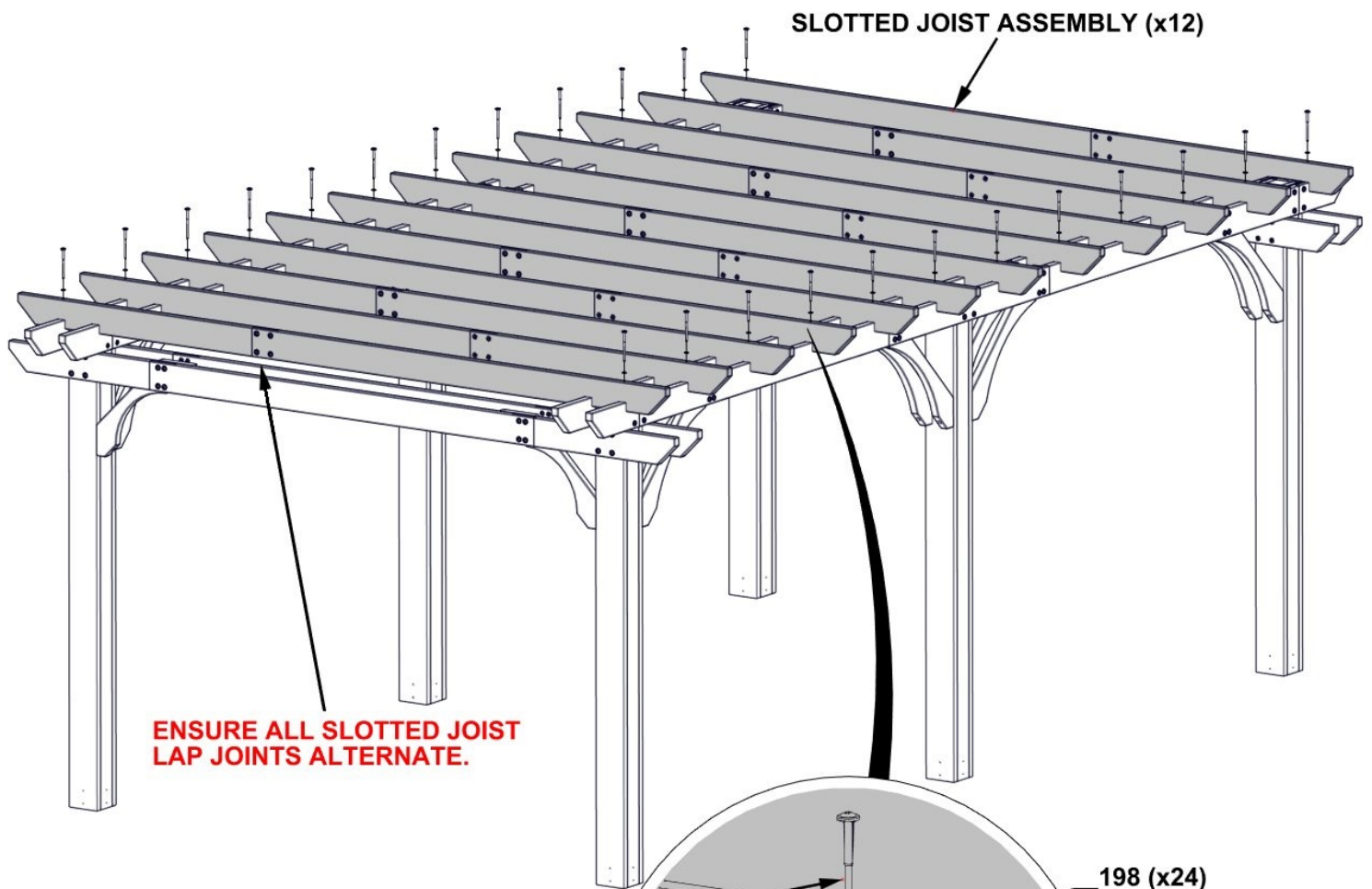


H100204 | LAG SCREW WH BLK
(24) | 5/16x5 1/2



H100198 | WASHER LOCK
(24) | EXT BLK 8x19

**ATTACH SLOTTED JOIST ASSEMBLIES USING
PILOT HOLES IN OUTER JOIST ASSEMBLY.**

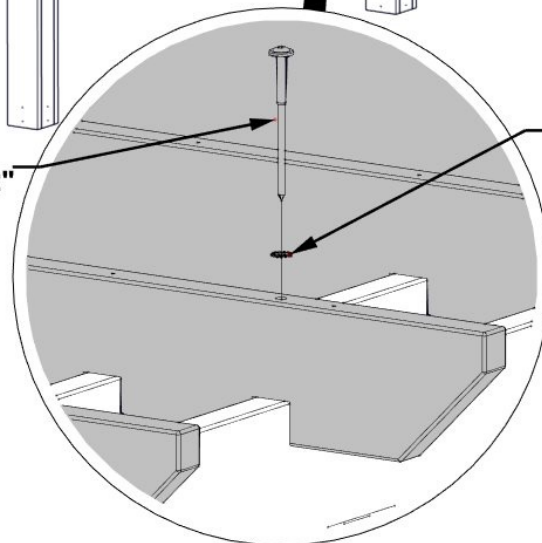


SLOTTED JOIST ASSEMBLY (x12)

**ENSURE ALL SLOTTED JOIST
LAP JOINTS ALTERNATE.**

204 (x24)
LAG SCREW - 5 1/2"

198 (x24)
WASHER - 8x19



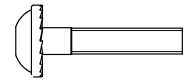
STEP 19 - PERGOLA ASSEMBLY



P10 | PURLIN END - W4L15531
 (28) | 1 3/8"x1 3/8"x85 1/2" (36x36x2171)



P11 | PURLIN - W4L15532
 (14) | 1 3/8"x1 3/8"x60 3/4" (36x36x1542)



H100397 | BOLT WH BLK
 (28) | 1/4x1 1/4

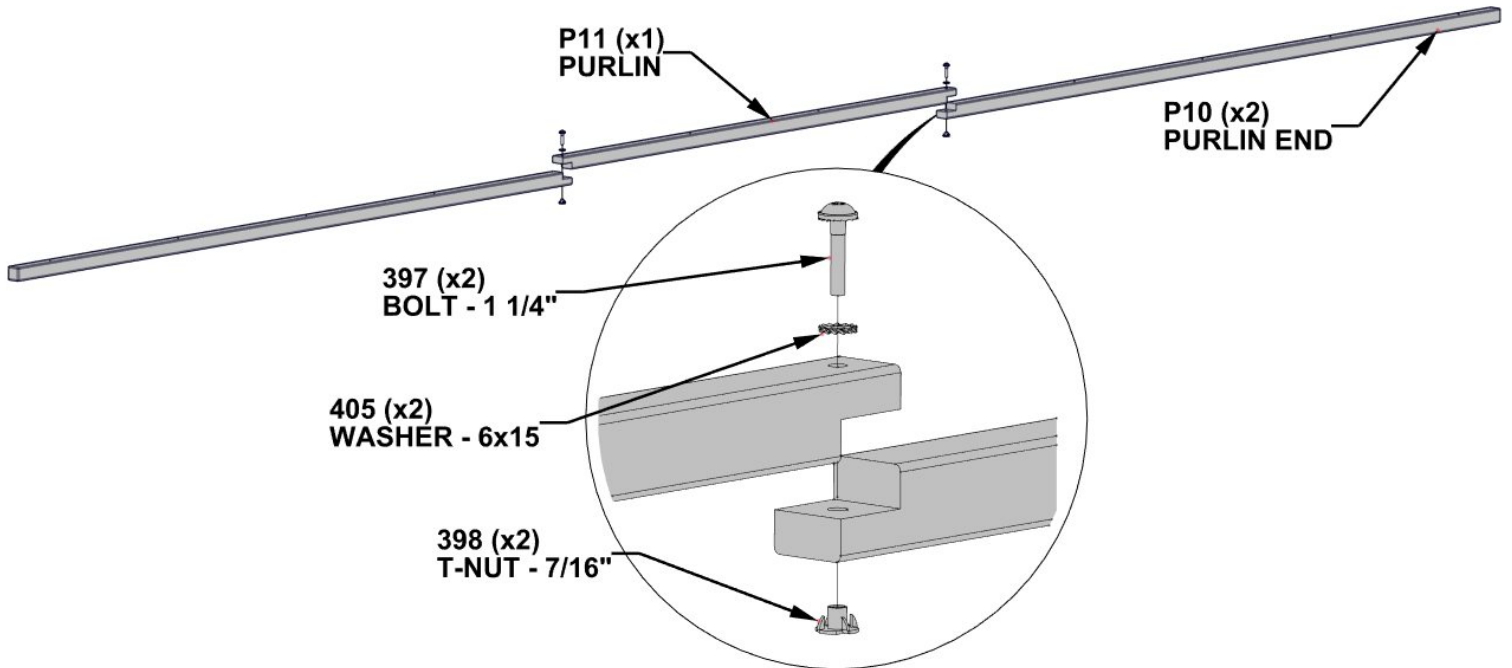


H100405 | WASHER LOCK
 (28) | EXT BLK 6x15



H100398 | T-NUT BLK
 (28) | 1/4x7/16

COMPLETE THIS STEP FOURTEEN TIMES.



STEP 20 - PERGOLA ASSEMBLY

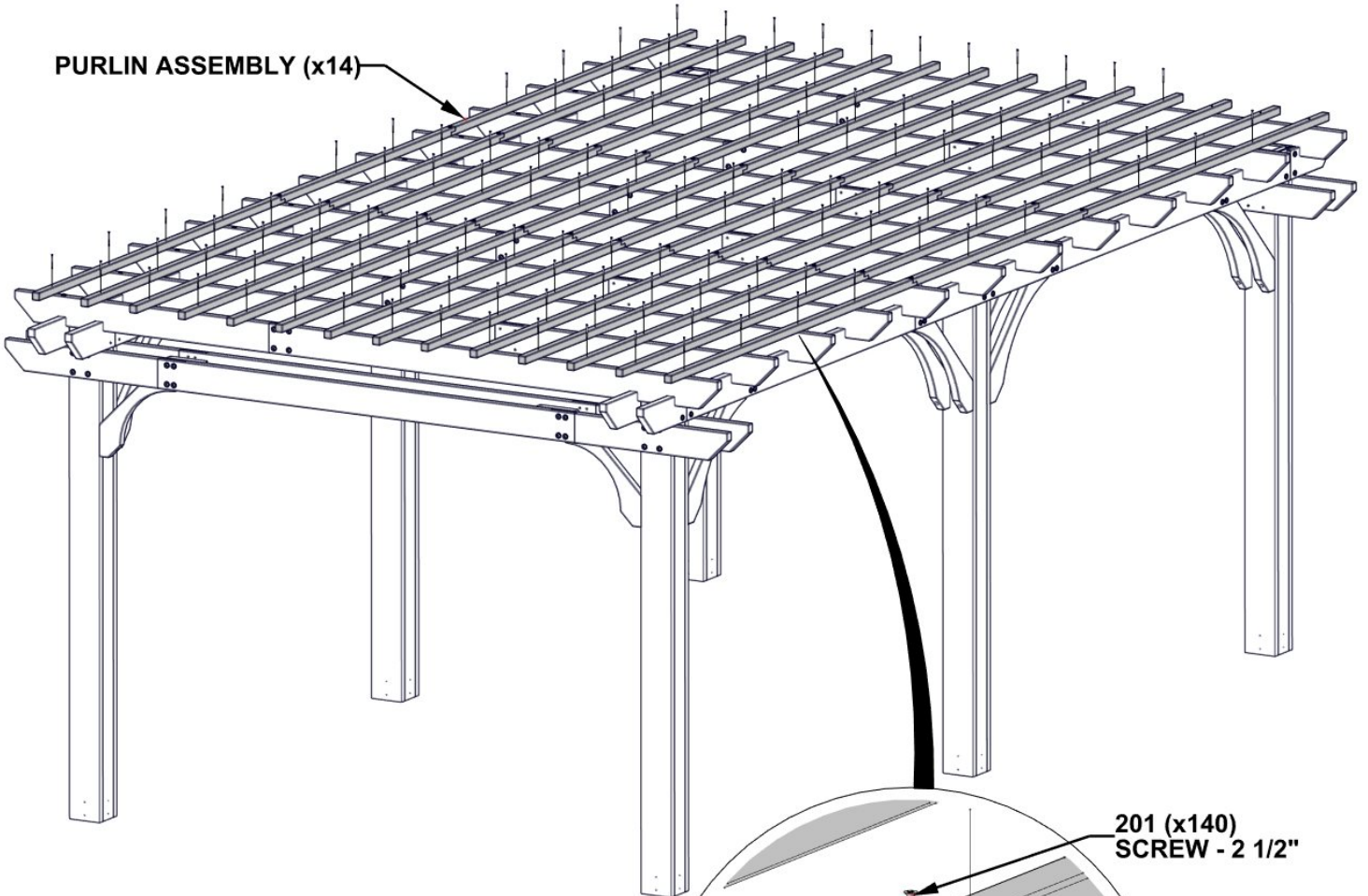
(14) PURLIN ASSEMBLY - FROM PREVIOUS STEPS



H100201 | SCREW PFH BLK
(140) | 8x2 1/2

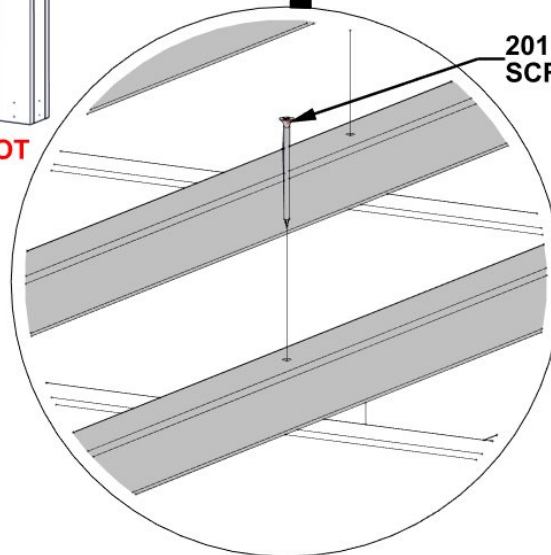
WHEN LIFTING UP EACH PURLIN ASSEMBLY ENSURE THAT JOINTS ARE SUPPORTED AND PURLIN IS KEPT LEVEL.

PURLIN ASSEMBLY (x14)

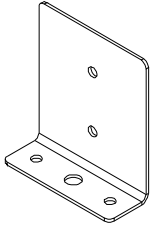


ATTACH PURLIN ASSEMBLIES USING PILOT HOLES IN SLOTTED JOIST ASSEMBLIES.

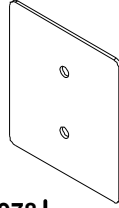
201 (x140)
SCREW - 2 1/2"



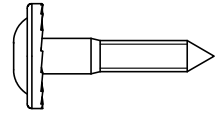
STEP 21 - PERGOLA ASSEMBLY



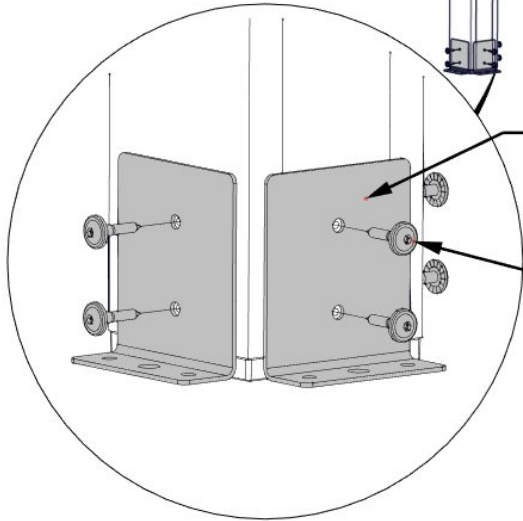
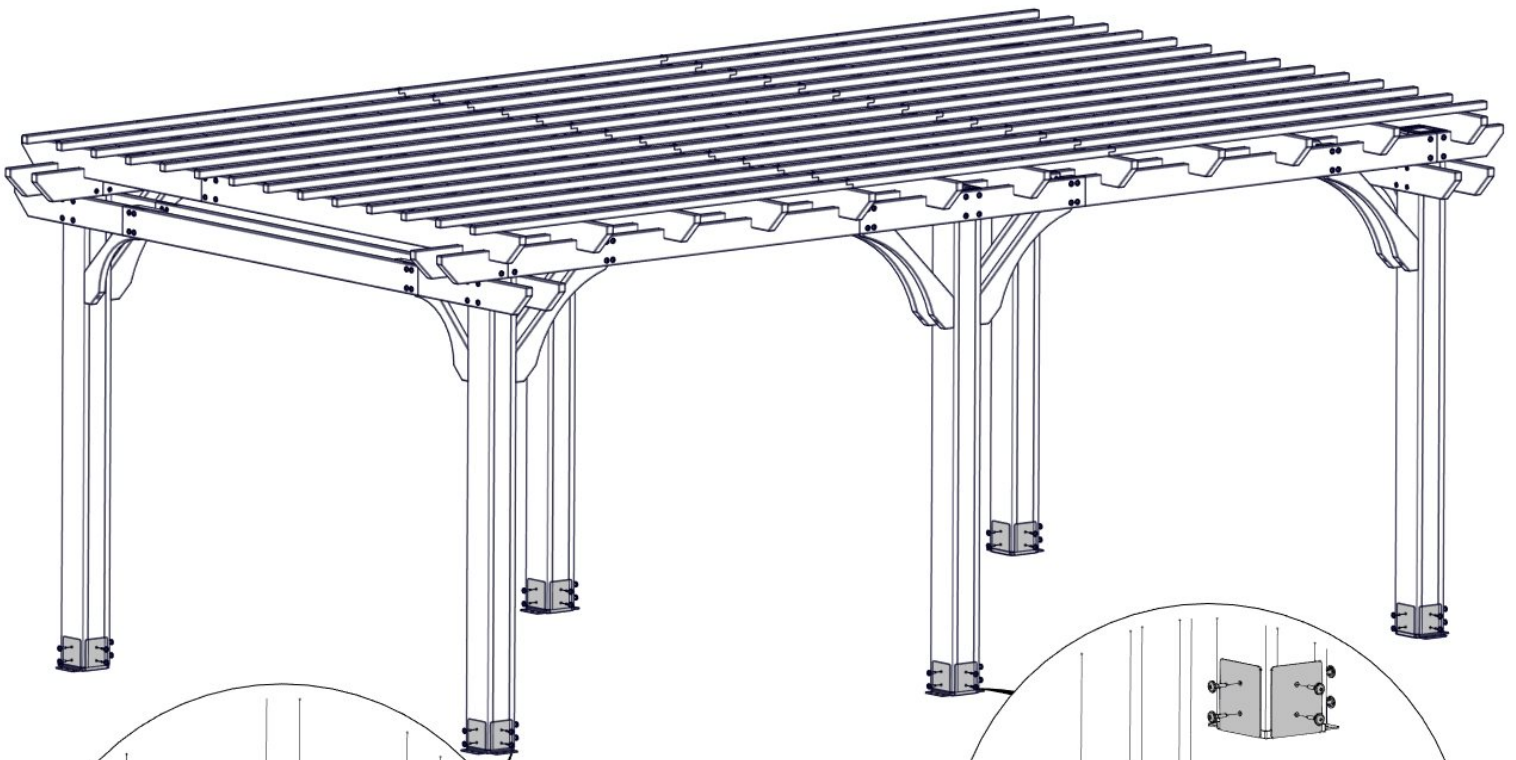
A4M00977 | POST ANCHORING PLATE
(12)



A4M00978 | POST PLATE
(12)

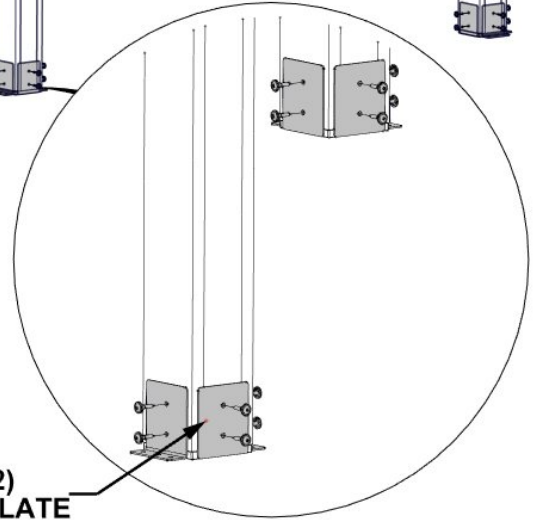


H100471 | LAG SCREW WH BLK
(48) 5/16x1 1/2



977 (x12)
POST ANCHORING PLATE

471 (x48)
LAG SCREW - 1 1/2"



978 (x12)
POST PLATE

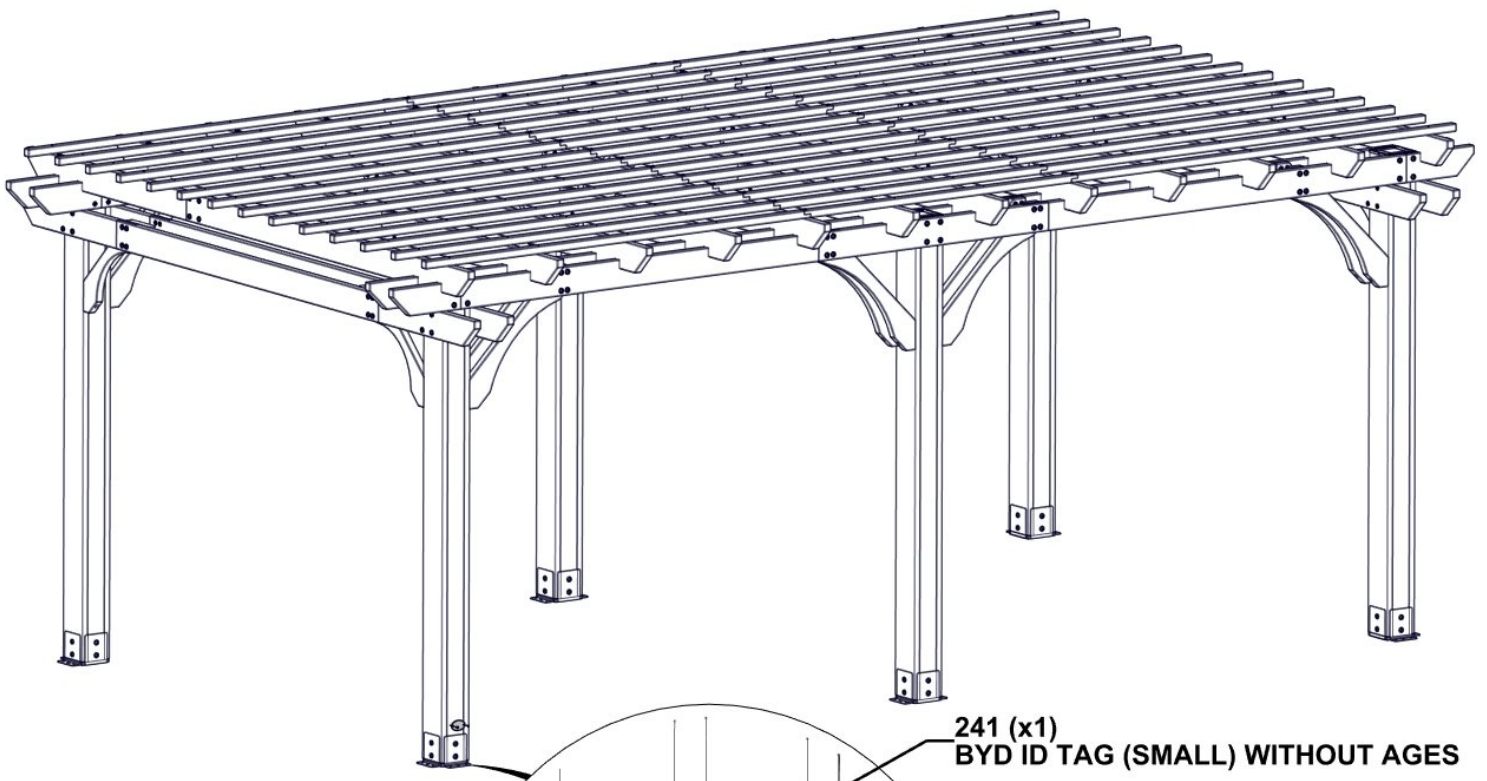
STEP 22 - PERGOLA ASSEMBLY



A100241 | **BYD ID TAG**
(1) | **(SMALL)**
| **WITHOUT AGES**



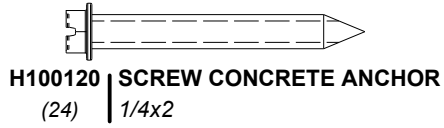
H100202 | **SCREW PWH BLK**
(2) | **8x5/8**



241 (x1)
BYD ID TAG (SMALL) WITHOUT AGES

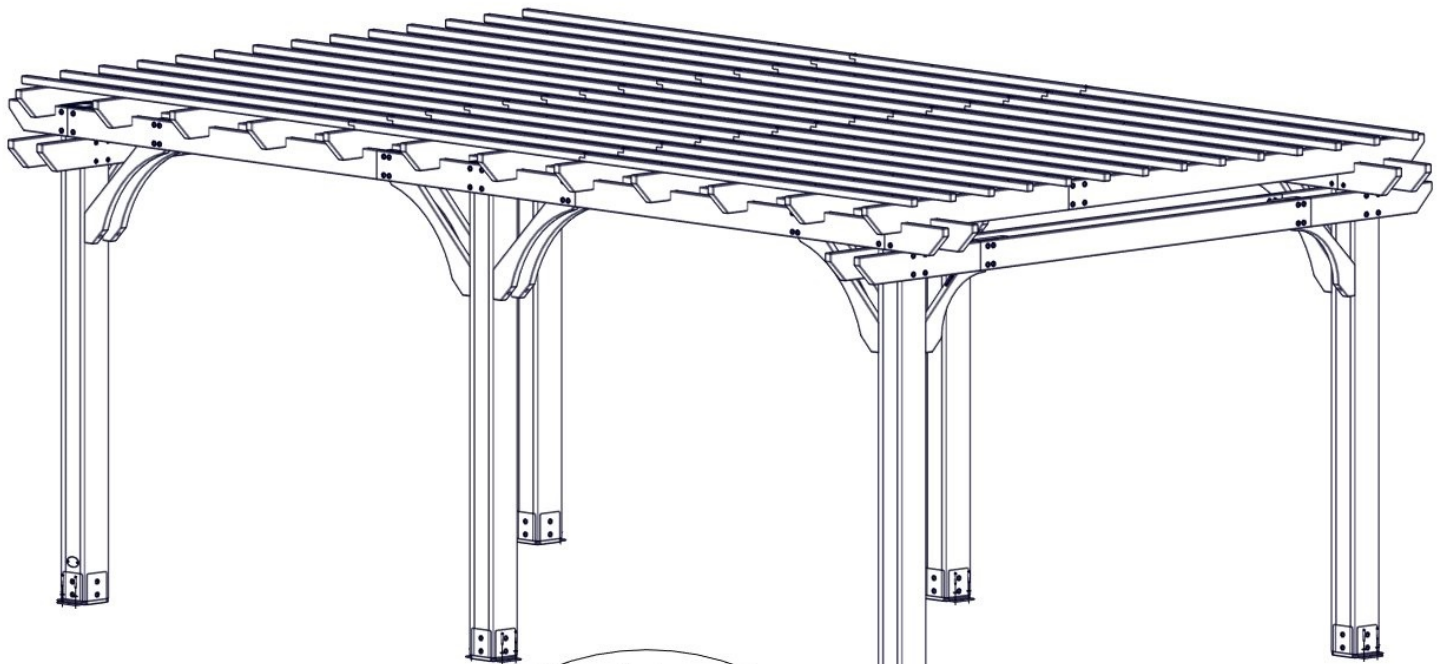
202 (x2)
SCREW - 5/8"

STEP 23 - PERGOLA ASSEMBLY

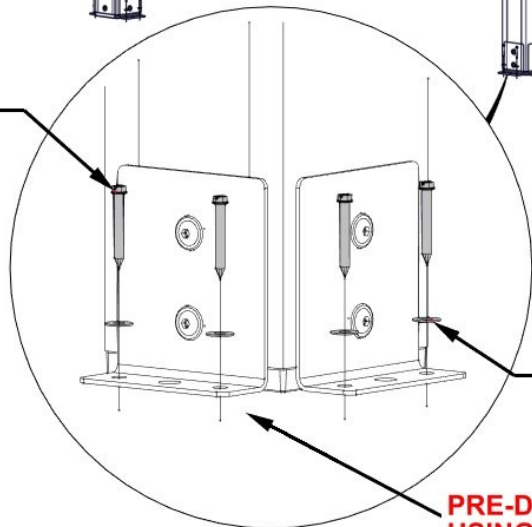


MANUFACTURER RECOMMENDS INSTALLATION ON CONCRETE SURFACE OR CONCRETE POST PAD AS SHOWN BELOW.

FOR INSTALLATION ON WOOD DECKS, YOU MUST ENSURE THERE IS AMPLE STRUCTURAL SUPPORT UNDER THE DECK. HARDWARE NOT INCLUDED FOR DECK ATTACHMENT.



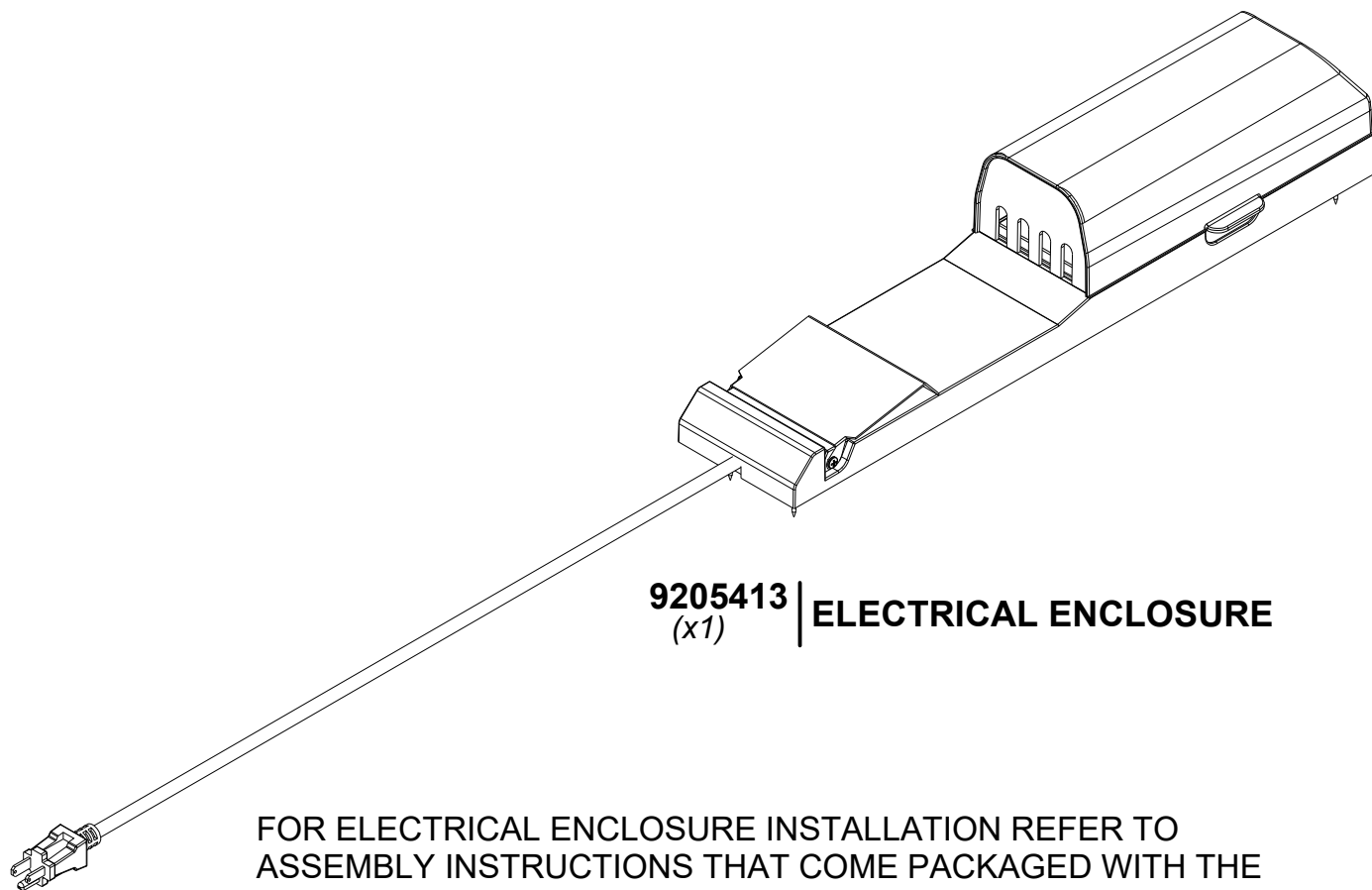
120 (x24)
SCREW - 2"



630 (x24)
WASHER - 8x19

PRE-DRILL HOLES FOR CONCRETE ANCHORS USING A 3/16" CONCRETE DRILL BIT.

ELECTRICAL ENCLOSURE



9205413 | **ELECTRICAL ENCLOSURE**
(x1)

FOR ELECTRICAL ENCLOSURE INSTALLATION REFER TO ASSEMBLY INSTRUCTIONS THAT COME PACKAGED WITH THE ELECTRICAL ENCLOSURE KIT. INSTALL ON ANY POST THAT IS DESIRED. FOLLOW DIRECTIONS FOR PROPER INSTALLATION.



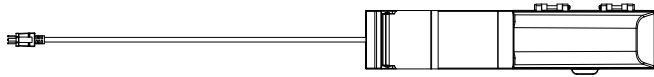
PowerPort™

Model # 9205413
Wood Post Mounting Instructions



PowerPort.

MANUFACTURED BY:
Backyard Discovery
3305 Airport Drive
Pittsburg, KS 66762
800-856-4445

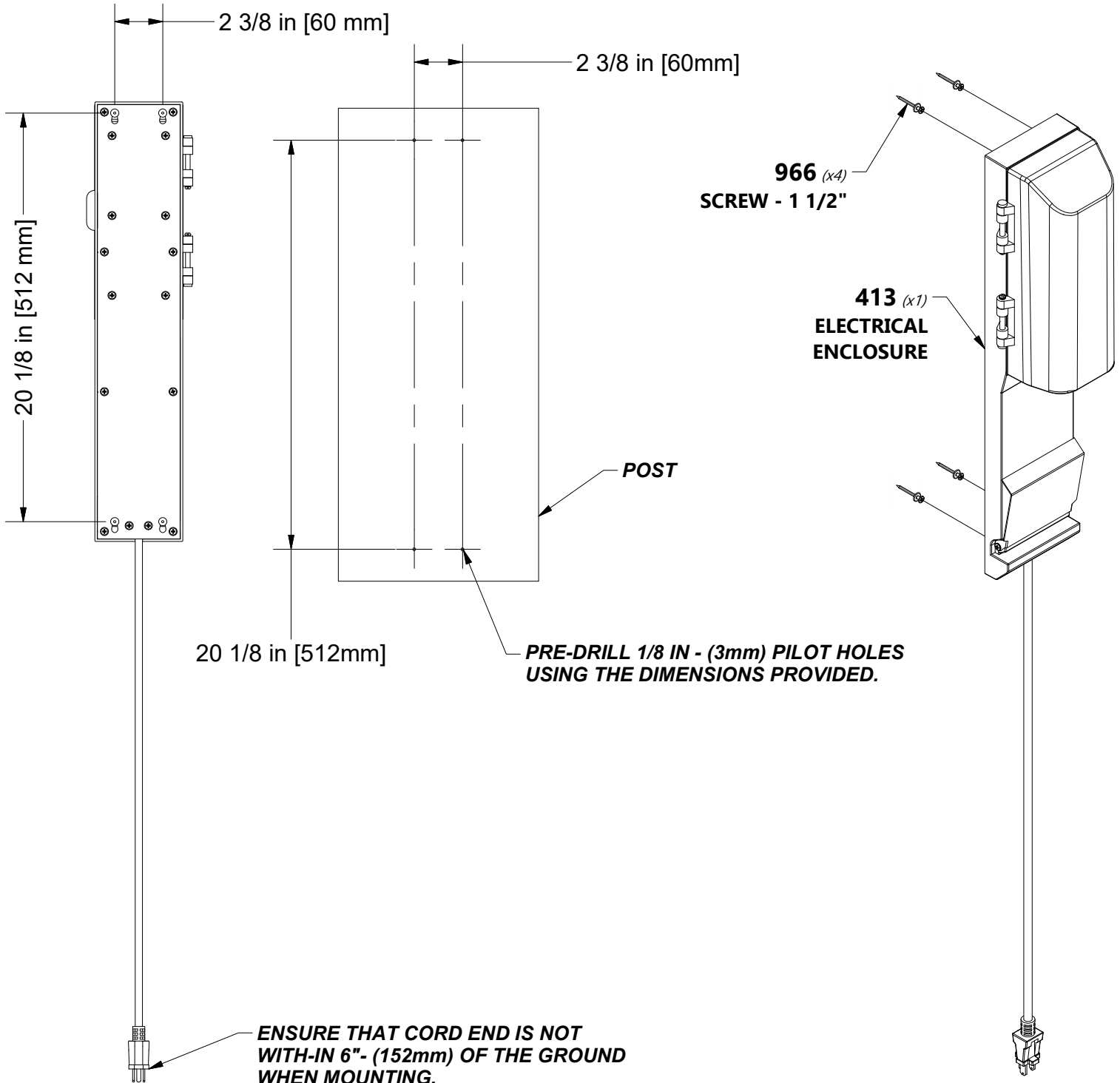


9205413 | ELECTRICAL ENCLOSURE
(x1)



H100966 | SCREW RAISED HEAD
(x4) | 8x1 1/2

WARNING: Cancer and Reproductive Harm - www.P65Warnings.ca.gov





PowerPort

Model # 9205413
Metal Post Mounting Instructions



MANUFACTURED BY:
Backyard Discovery
3305 Airport Drive
Pittsburg, KS 66762
800-856-4445



A4M01292 | MOUNTING BRACKET
(x2)

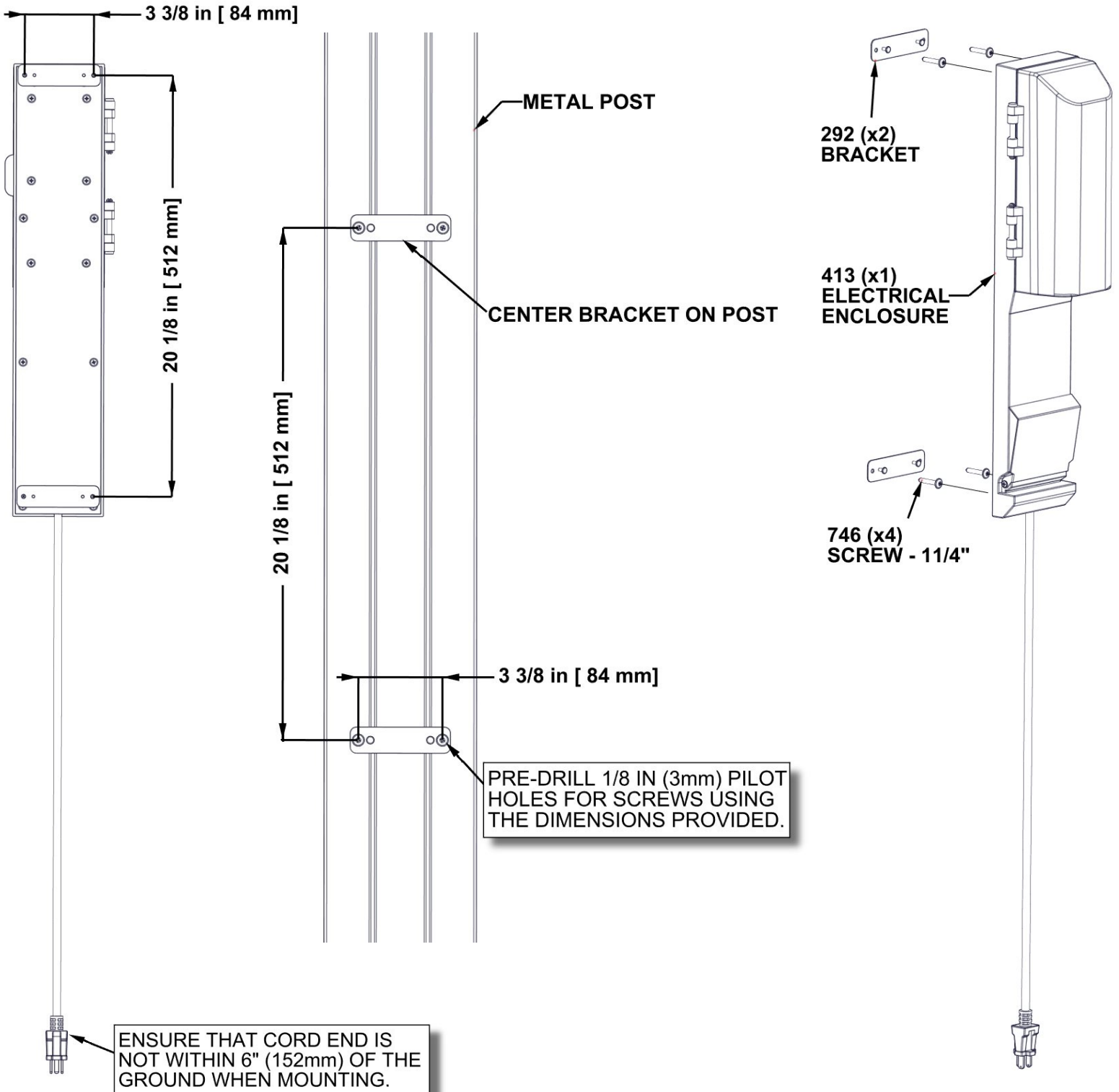


9205413 | ELECTRICAL ENCLOSURE
(x1)



H100746 | SCREW TAPPING
(x4) 10x1 1/4"

WARNING: Cancer and Reproductive Harm - www.P65Warnings.ca.gov



FCC MARKING:

This device complies with part 15 of the FCC Rules. Operation is subject to the following two conditions: (1) This device may not cause harmful interference, and (2) this device must accept any interference received, including interference that may cause undesired operation.

FCC INSTRUCTIONS:

CAUTION: Changes or modifications not expressly approved by the party responsible for compliance could void the user's authority to operate the equipment.

For a Class B digital device or peripheral, the instructions furnished the user shall include the following or similar statement, placed in a prominent location in the text of the manual:

Note: This equipment has been tested and found to comply with the limits for a Class B digital device, pursuant to part 15 of the FCC Rules. These limits are designed to provide reasonable protection against harmful interference in a residential installation. This equipment generates, uses and can radiate radio frequency energy and, if not installed and used in accordance with the instructions, may cause harmful interference to radio communications. However, there is no guarantee that interference will not occur in a particular installation. If this equipment does cause harmful interference to radio or television reception, which can be determined by turning the equipment off and on, the user is encouraged to try to correct the interference by one or more of the following measures:

- Reorient or relocate the receiving antenna.
- Increase the separation between the equipment and receiver.
- Connect the equipment into an outlet on a circuit different from that to which the receiver is connected.
- Consult the dealer or an experienced radio/TV technician for help.